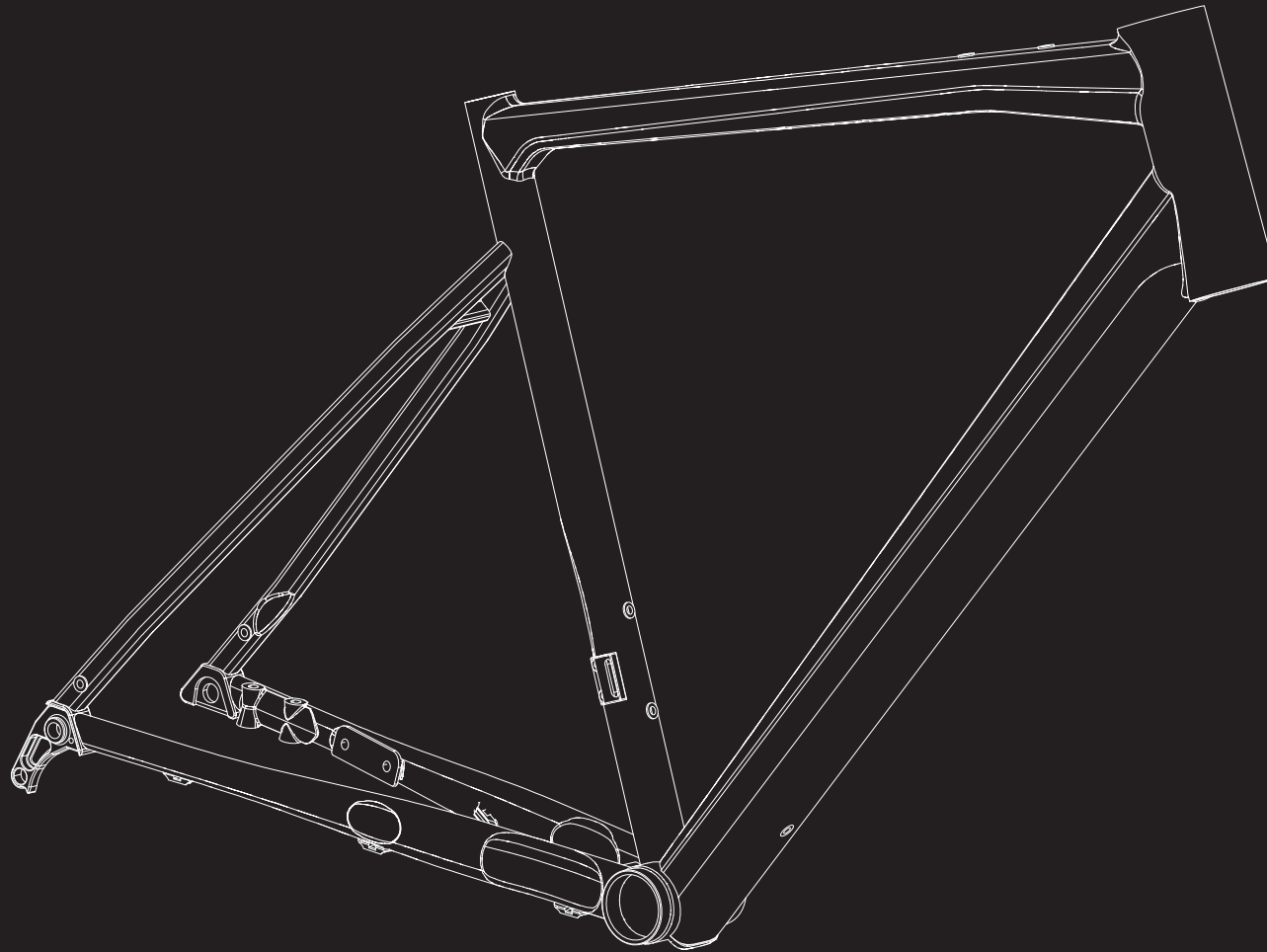


# *ROSE*



**ANY QUESTIONS?**

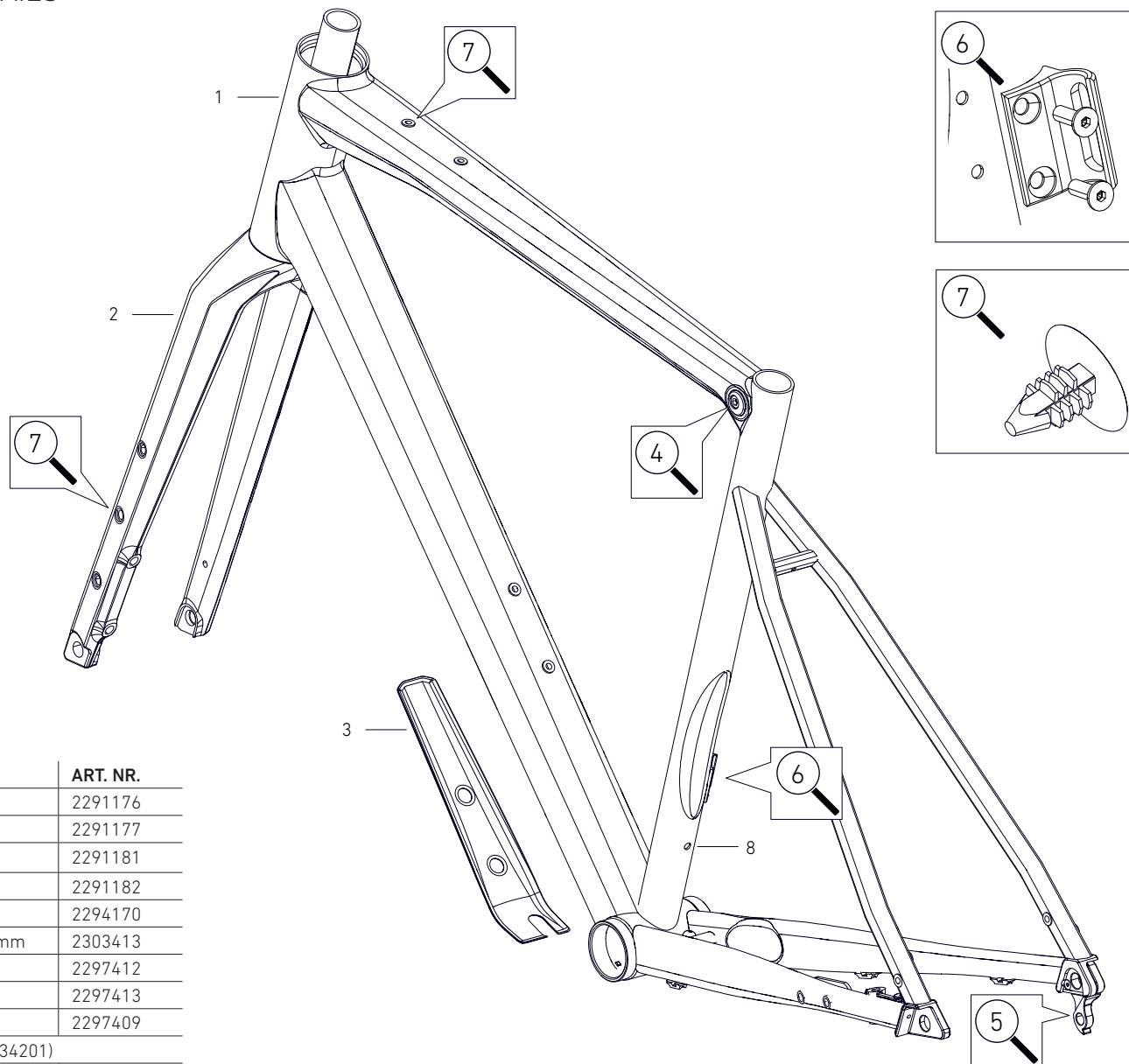
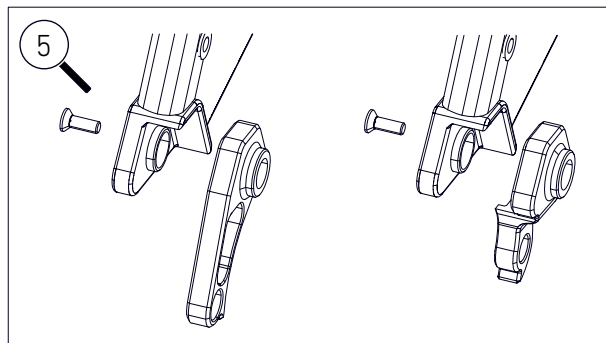
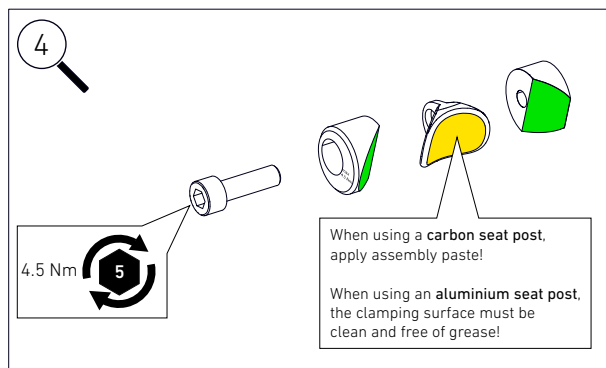
[rosebikes.de/support](https://rosebikes.de/support)

ROSE Bikes GmbH  
Schersweide 4  
46395 Bocholt, Germany

## *BACK*<sup>ROAD AL</sup>

**FRAME DETAILS**  
MODELYEAR 2020

# BACKROAD AL FRAME DETAILS



POS.	DESCRIPTION	SPECIFICATIONS	ART. NR.
1	frame	color: grey	2291176
		color: olive	2291177
2	fork	color: grey	2291181
		color: olive	2291182
3	down tube TPR protector		2294170
4	seatpost clamp	3 pieces + fixing screw M6 x 20 mm	2303413
5	derailleur hanger	standard	2297412
		direct mount	2297413
6	front derailleur hanger	incl. 2x M4 x 8 mm fixing screws	2297409
	if pos. 6 is not mounted, the holes are closed with plugs (art. nr. 230034201)		
7	pinetree plug	for M5 thread	2293464
8	Di2 front derailleur hole plug		2198822
	rubber ring		2256912
	PU foam downtube cable routing		220323000
	headtube cable routing rubber		2283062

	GREASE	DYNAMIC GALLI BEARING 100 g	49217800
		DYNAMIC GALLI BEARING 400 g	49217900
	CARBON ASSEMBLY PASTE	for example DYNAMIC, Art. Nr. 25377201	

### HEADSET DETAILS

#### HEADSET ART. NR. 2294845

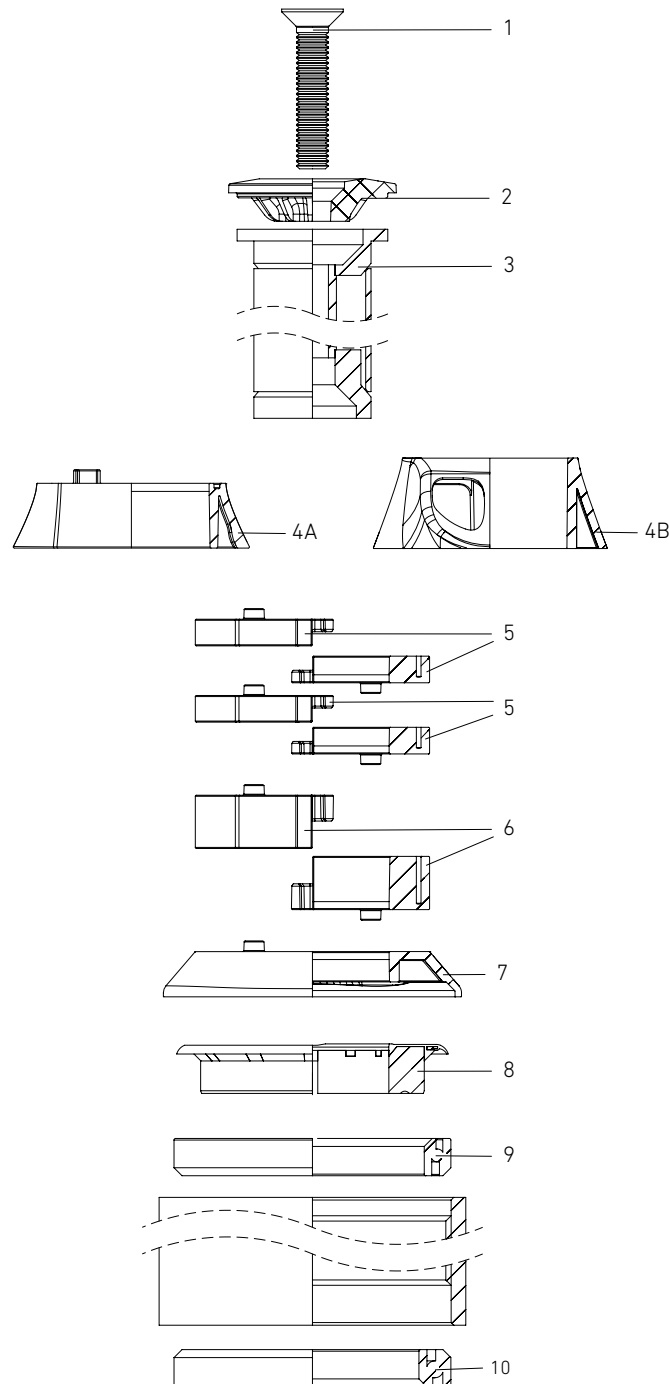
1	countersunk head screw	DIN7991, M6 X 30 mm
2	top cap	
3	compression expander	
4A	top cover	for external cable routing
5	spacer	different heights available*1
6	spacer	different heights available*1
7	headtube cover	8.5 mm
8	compression ring	Ø1 1/8"
9	upper bearing	42 x 52 x 7 mm
10	lower bearing	40 x 52 x 7 mm, R1

\*1 choose art. nr. 2299264

#### HEADSET ART. NR. 2303006

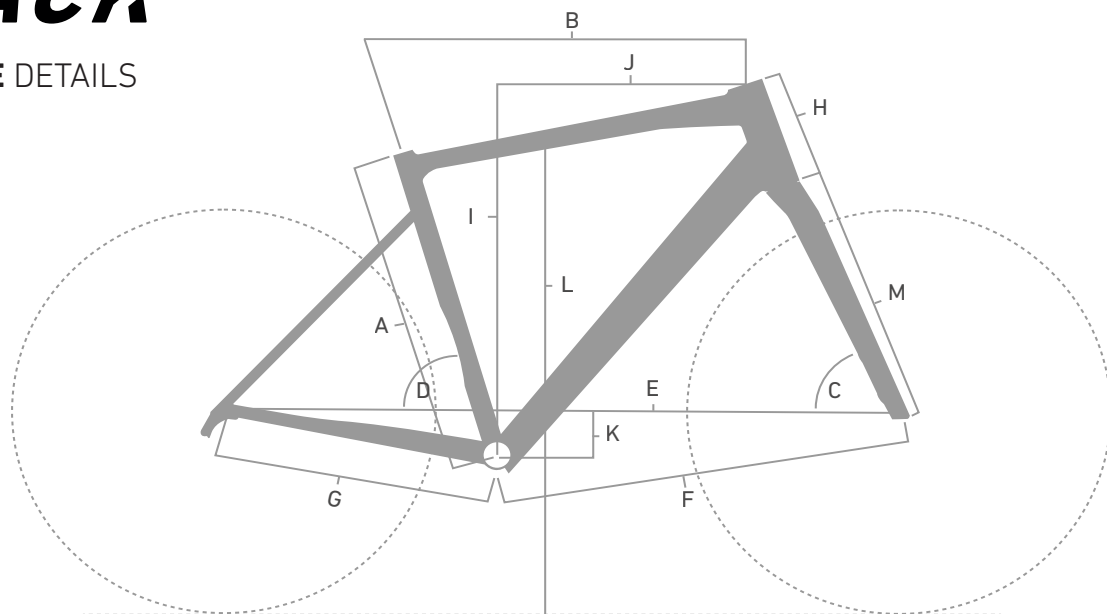
1	countersunk head screw	DIN7991, M6 X 30 mm
2	top cap	
3	compression expander	
4B	top cover	for internal cable routing
5	spacer	different heights available*2
6	spacer	different heights available*2
7	headtube cover	8.5 mm
8	compression ring	Ø1 1/8"
9	upper bearing	42 x 52 x 7 mm
10	lower bearing	40 x 52 x 7 mm, R1

\*2 choose art. nr. 2303210



# BACKROAD AL

## FRAME DETAILS



## FRAME GEOMETRY

		46	49	51	53	55	57	59	61	64
SEATTUBE LENGTH [MM]	A	420	450	475	490	500	510	530	555	605
TOPTUBE LENGTH HORIZONTAL [MM]	B	495	506	519	531	543	560	570	586	606
HEAD TUBE ANGLE	C	69.5°		70°	70.5°		71°	71.25°	71.5°	72°
SEAT TUBE ANGLE	D	75°	74.5°	74.25°	74°	73.75°	73.5°		73.25°	73°
WHEELBASE [MM]	E	999	1005.5	1011.5	1017.5	1029	1037	1049	1060	1072
FRONT CENTER [MM]	F	579.5	586	592	598	608.5	618	627	638	650
REAR CENTER [MM] (CHAINSTAY LENGTH)	G	430								
HEADTUBE LENGTH [MM]	H	110	118	128	142	158	175	190	205	228
STACK [MM]	I	535	543	547.5	567.5	582.5	600.5	606	621	642.5
REACH [MM]	J	351.5	355.5	364.5	368.5	373.5	382	390.5	399	409.5
BB DROP [MM]	K	72		70				65		
STANDOVER HEIGHT [MM]	L	726	747	767	781	793	806	826	847	884
FORK LENGTH [MM]	M	405								
STACK TO REACH RATIO		1.52	1.53	1.50	1.54	1.56	1.57	1.56	1.56	1.57

## FRAME INTERFACES

BOTTOM BRACKET	Shimano: SM-BB72-41B Pressfit, Sram: DUB PF Road 86.5
REAR WHEEL AXLE	142 x 12 mm, Art. No. 227469001
REAR BRAKE MOUNT	160 mm Flatmount
MAX Ø DISC	160 mm
Ø SEATPOST	27.2 mm
MAX. TIRE SIZE	28": 45 mm (40mm with mudguards) / 650B: 47 mm
MAX. CHAINRING SIZE	1x 46T / 2x 48-31T
FRONT DERAILLEUR MOUNT	only with Shimano GRX
BOTTLE CAGE	yes, 2x

## FORK INTERFACES

FRONT WHEEL AXLE	100 x 12 mm, Art. No. 227585701
FRONT BRAKE MOUNT	160 mm Flatmount
MAX Ø DISC	180 mm
MAX. TIRE SIZE	28": 45 mm (40mm with mudguards) / 650B: 47 mm
LOWRIDER MOUNT	not compatible, please choose ROSE Gravel Cage, Art. Nr. 230033901
BOTTLE CAGE	yes, 2x

MAX SYSTEM WEIGHT (RIDER + BICYCLE + CLOTHING + GEAR + LUGGAGE): 110 KG  
INTENDED USE: DIN 17406 CATEGORY 2