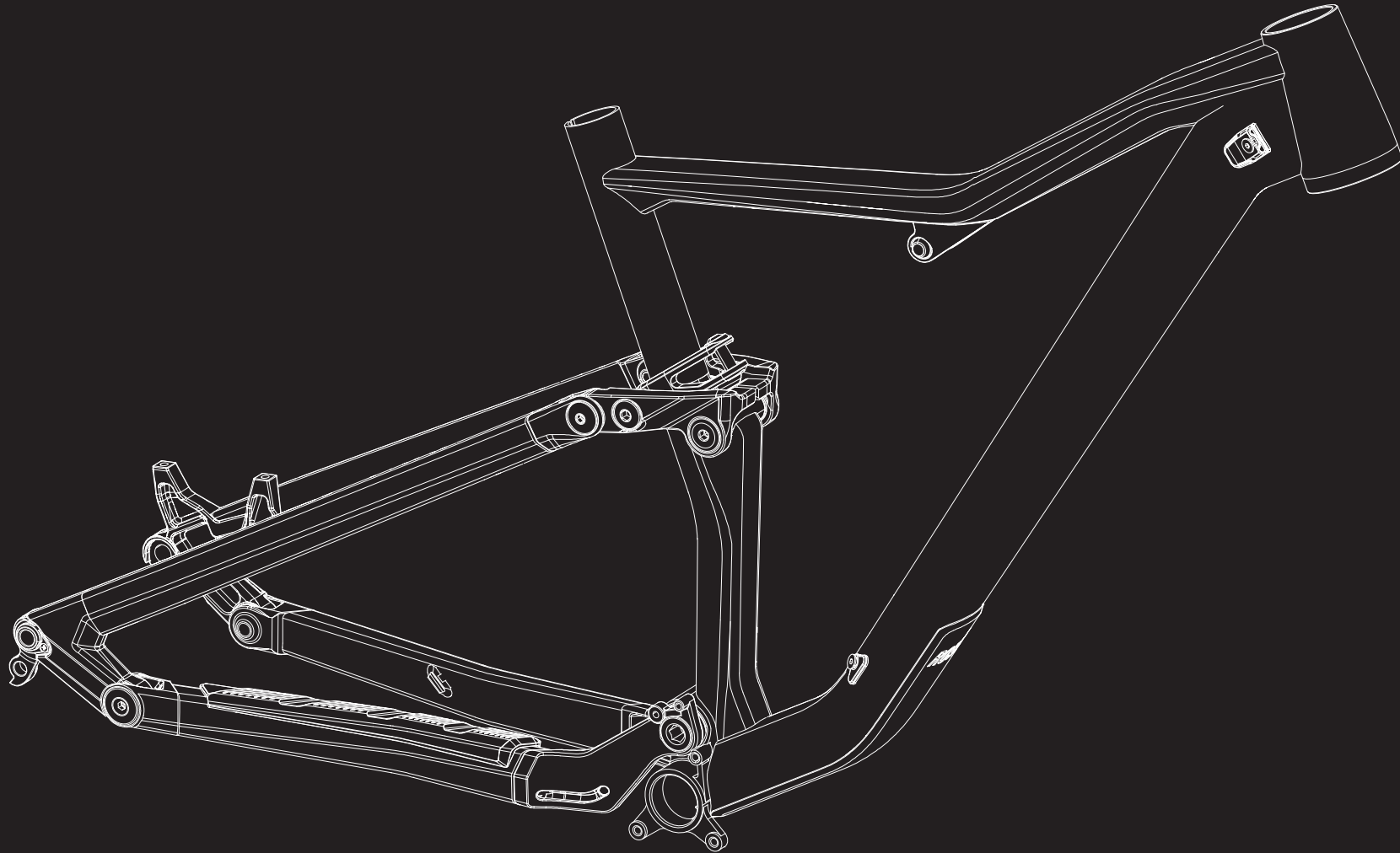


# *ROSE*



**ANY QUESTIONS?**

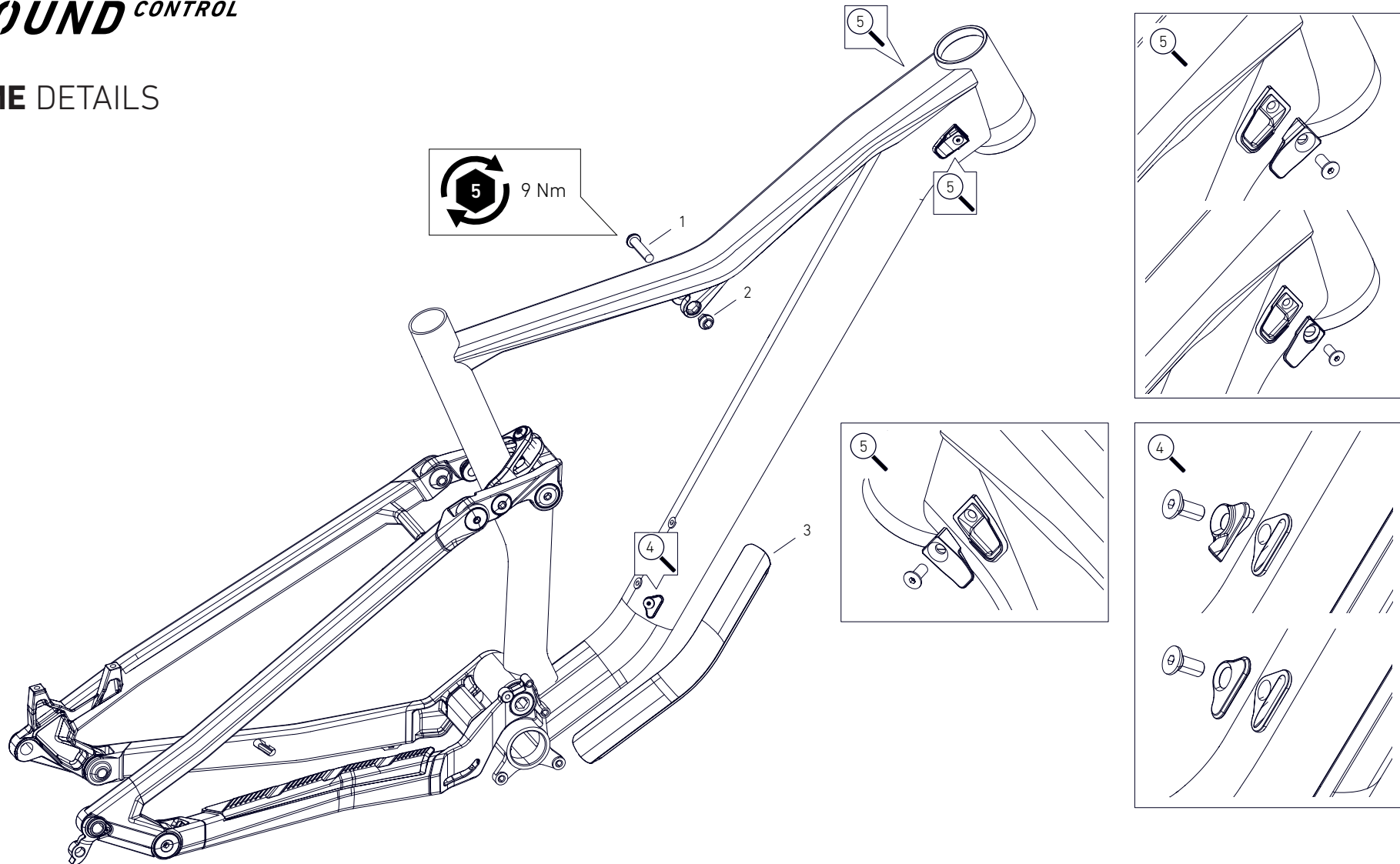
[technik@rosebikes.com](mailto:technik@rosebikes.com)

ROSE Bikes GmbH  
Schersweide 4  
46395 Bocholt, Germany

***GROUND*** CONTROL

**FRAME DETAILS**  
MODELYEAR 2020

## FRAME DETAILS

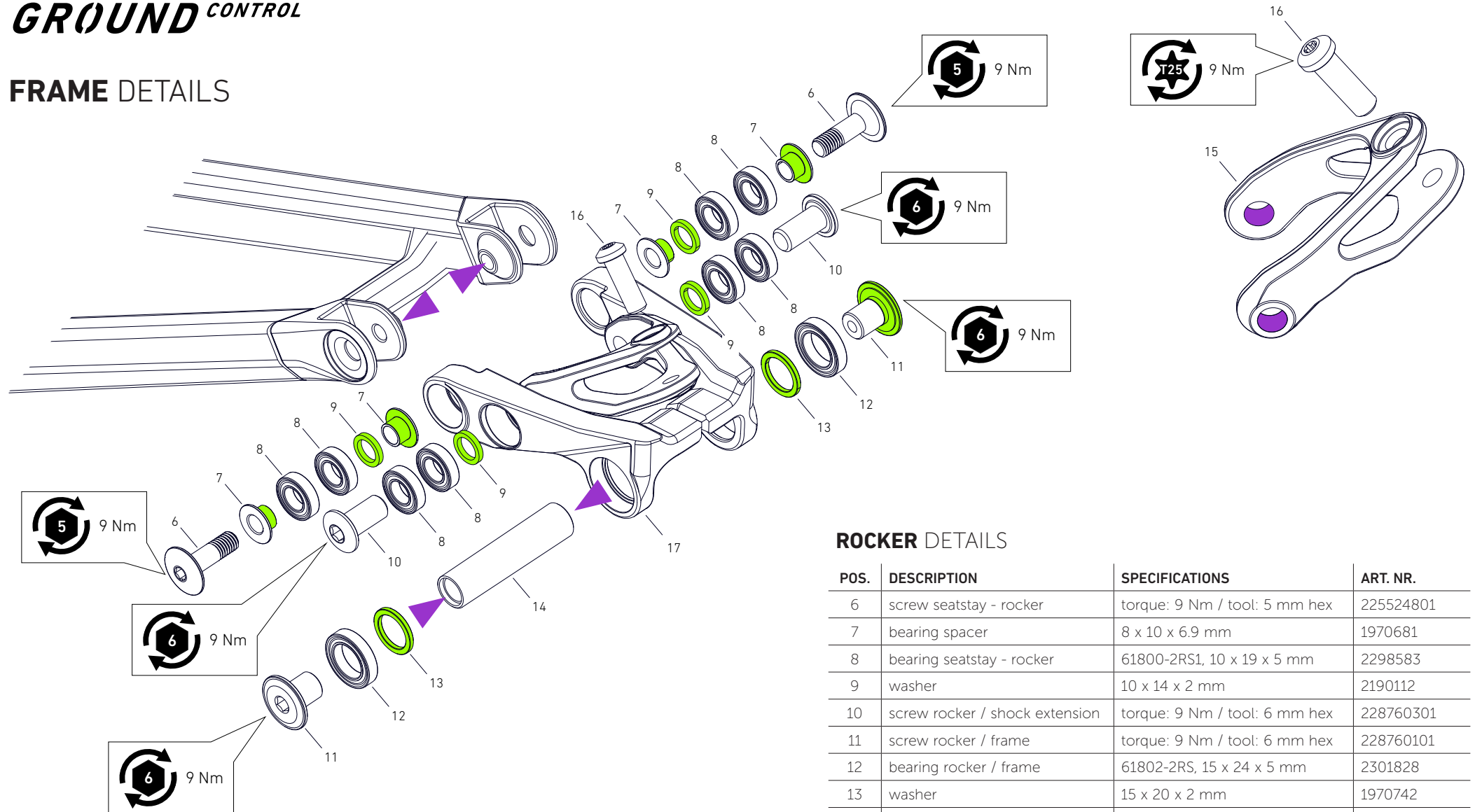


### MAIN FRAME DETAILS

POS.	DESCRIPTION	SPECIFICATIONS	ART. NR.
1	shock screw	M8 x 35 mm, torque: 9 Nm / tool: 5 mm hex	229968201
2	shock screw nut		
	GREASE	DYNAMIC GALLI BEARING 100 g	49217800
		DYNAMIC GALLI BEARING 400 g	49217900
	THREADLOCKER	mid strength, for example Art. Nr. 1322431	

POS.	DESCRIPTION	SPECIFICATIONS	ART. NR.
3	frame protector downtube		2297692
4	cable inlet downtube	incl. fixing screw M5 x 12 mm	2251942
	blind cover	incl. fixing screw M5 x 12 mm	2251946
5	cable inlet headtube	incl. fixing screw M5 x 12 mm	2251724
	blind cover	incl. fixing screw M5 x 12 mm	2251945

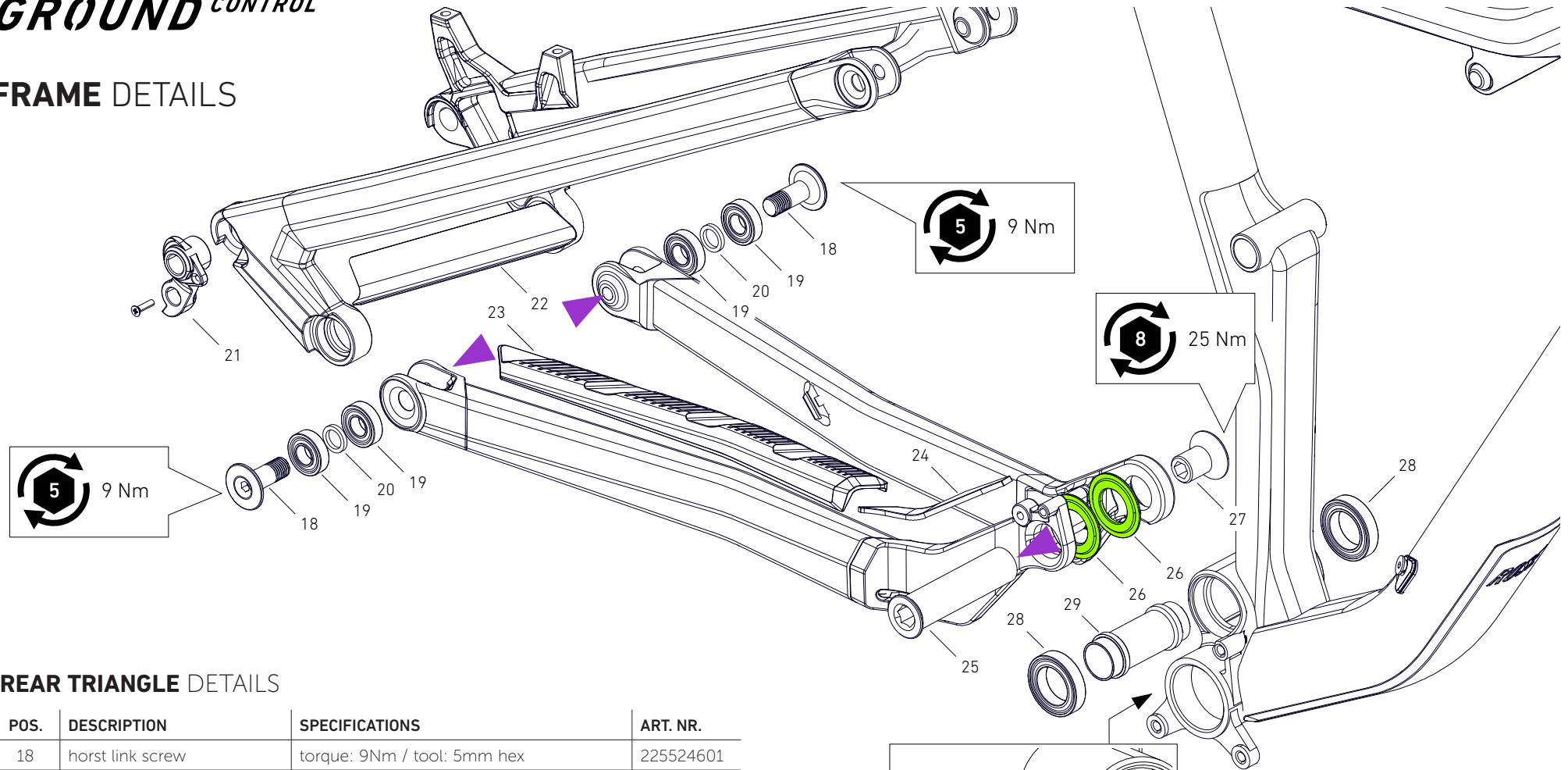
## FRAME DETAILS



## ROCKER DETAILS

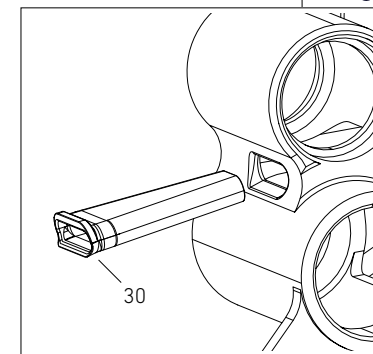
POS.	DESCRIPTION	SPECIFICATIONS	ART. NR.
6	screw seatstay - rocker	torque: 9 Nm / tool: 5 mm hex	225524801
7	bearing spacer	8 x 10 x 6.9 mm	1970681
8	bearing seatstay - rocker	61800-2RS1, 10 x 19 x 5 mm	2298583
9	washer	10 x 14 x 2 mm	2190112
10	screw rocker / shock extension	torque: 9 Nm / tool: 6 mm hex	228760301
11	screw rocker / frame	torque: 9 Nm / tool: 6 mm hex	228760101
12	bearing rocker / frame	61802-2RS, 15 x 24 x 5 mm	2301828
13	washer	15 x 20 x 2 mm	1970742
14	rocker pivot		2140339
15	shock extension		228760001
16	screw shock extension / shock	torque: 9 Nm / tool: T25 Torx	228423801
17	rocker	29" M-XL 27.5" S	228760501 229389501
	GREASE	DYNAMIC GALLI BEARING 100 g DYNAMIC GALLI BEARING 400 g	49217800 49217900
	THREADLOCKER	mid strength, for example Art. Nr. 1322431	

## FRAME DETAILS



## REAR TRIANGLE DETAILS

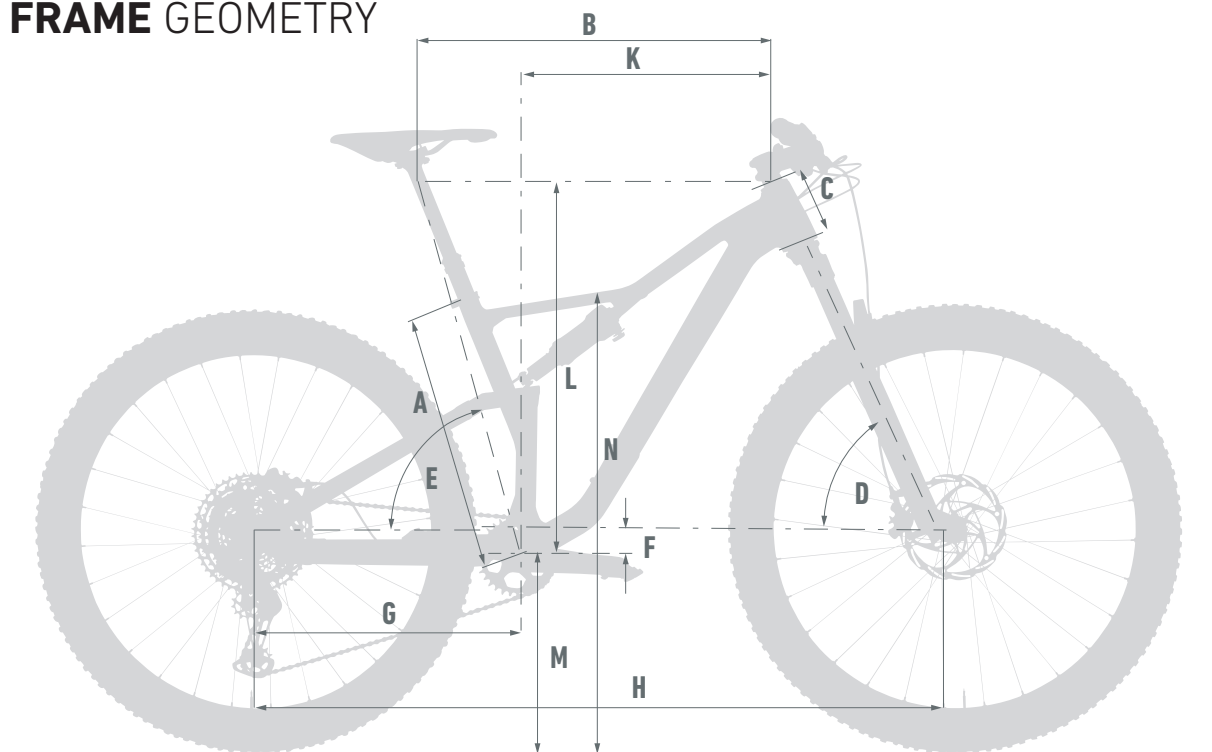
POS.	DESCRIPTION	SPECIFICATIONS	ART. NR.
18	horst link screw	torque: 9Nm / tool: 5mm hex	225524601
19	horst link bearing	10 x 22 x 6 / 6.5 mm, 61900E-2RS	2301827
20	washer	10 x 14 x 2 mm	2190112
21	derailleur hanger	Rose No. 37, incl. fixing screw M3 x 12 mm	225194101
22	frame protection seatstay		2302245
23	frame protection chainstay		2297690
24	frame protection yoke		2300930
25	main pivot bolt		2251935
26	yoke spacer	18 x 33.5 x 2.5 mm	2251940
27	main pivot screw	torque: 25 Nm / tool: 8 mm hex	2251937
28	main pivot bearing	20 x 32 x 7 mm / 61804-2RS1	2301826
29	main pivot spacer		225194001
30	BB sleeve		230340701



 GREASE  
 THREADLOCKER

DYNAMIC GALLI BEARING 100 g	49217800
DYNAMIC GALLI BEARING 400 g	49217900
mid strength, for example Art. Nr. 1322431	

## FRAME GEOMETRY



## FRAME INTERFACES

<b>BOTTOM BRACKET</b>	BSA 73 mm
<b>HEADSET</b>	ZS 44 / 56
<b>REAR WHEEL AXLE</b>	length: 180 mm, M12 x 1.75, thread length: 20 mm e.g. DT Swiss RWS Boost Plug In axle, Art. Nr. 2269801
<b>SHOCK LENGTH X STROKE</b>	190 x 45 mm
<b>SHOCK HARDWARE</b>	Ø8 x 15 mm / Ø8 x 20 mm
<b>REAR BRAKE MOUNT</b>	PM 180
<b>MAX. Ø REAR BRAKE DISC</b>	203 mm
<b>Ø SEAT TUBE</b>	31.6 mm, internal dropper compatible
<b>Ø SEAT POST CLAMP</b>	36 mm, e.g. ROSE seat post clamp, Art. Nr. 226113801
<b>MAX. TIRE WIDTH</b>	2.6"
<b>WHEEL SIZE</b>	S. 27,5" / M-XL: 29"
<b>MAX. CHAINRING SIZE</b>	36 T
<b>ISCG</b>	ISCG 05
<b>REAR HUB SPACING</b>	Boost 12 x 148 mm

**MAX SYSTEM WEIGHT (RIDER + BICYCLE + CLOTHING + GEAR + LUGGAGE): 120 KG**

		SIZE S	SIZE M	SIZE L	SIZE XL
<b>SEAT TUBE LENGTH</b>	A	410 mm	440 mm	470 mm	500 mm
<b>TOP TUBE LENGTH</b>	B	558 mm	586 mm	614 mm	641 mm
<b>HEAD TUBE LENGTH</b>	C	105 mm	105 mm	115 mm	125 mm
<b>HEAD ANGLE</b>	D	67°	67°	67°	67°
<b>SEAT ANGLE EFFECTIVE</b>	E	75,5°	76°	76°	76°
<b>SEAT ANGLE REAL</b>		68,3°	68,4°	68,6°	68,8°
<b>BB DROP</b>	F	16,5 mm	36 mm	36 mm	36 mm
<b>CHAIN STAY LENGTH</b>	G	424,5 mm	441 mm	441 mm	441 mm
<b>WHEEL BASE</b>	H	1111 mm	1163 mm	1192 mm	1221 mm
<b>REACH</b>	K	410 mm	435 mm	460 mm	485 mm
<b>STACK</b>	L	572 mm	606 mm	615 mm	625 mm
<b>BB HEIGHT</b>	M	340 mm	340 mm	340 mm	340 mm
<b>STANDOVER HEIGHT</b>	N	741 mm	771 mm	771 mm	771 mm