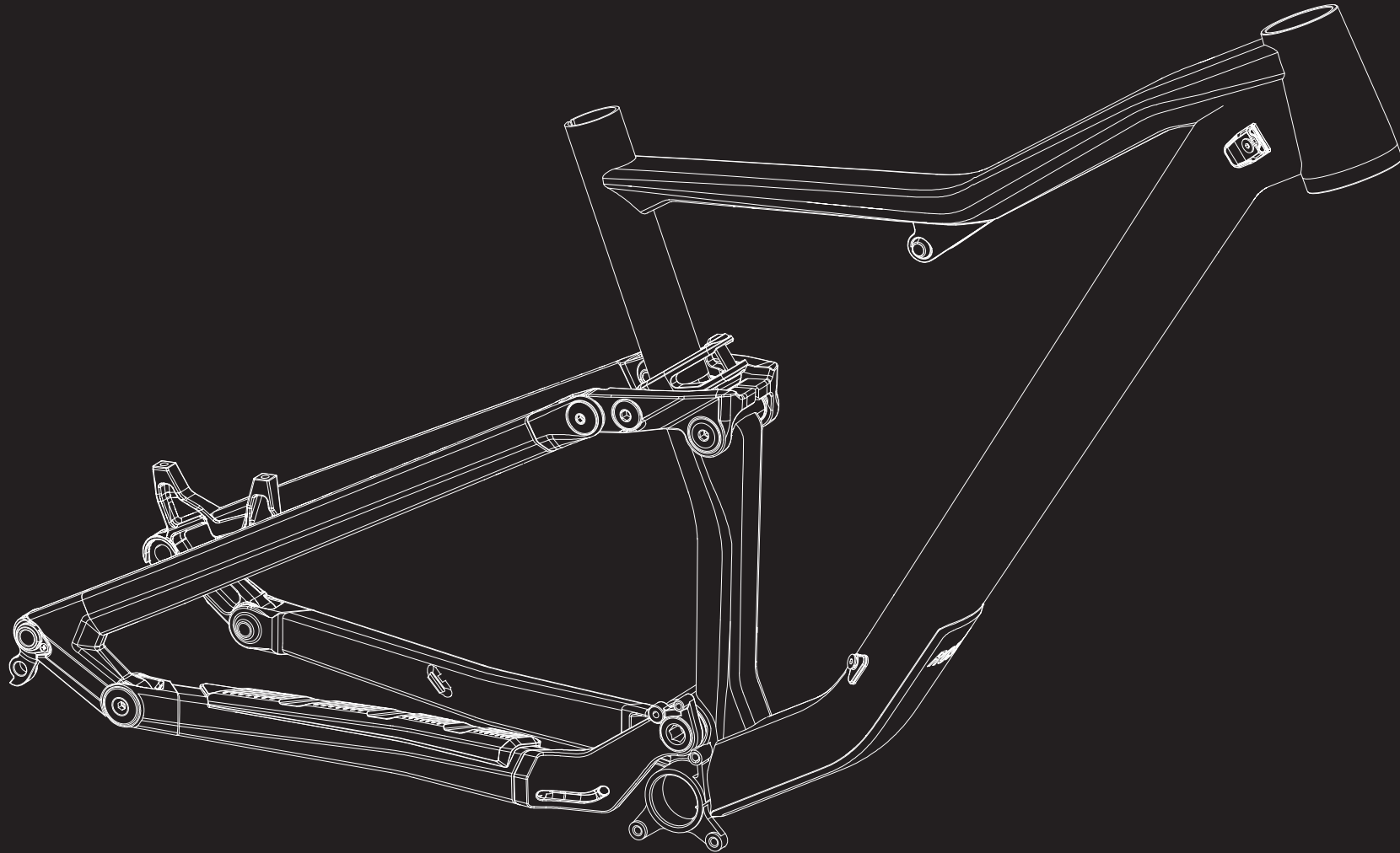


ROSE



ANY QUESTIONS?

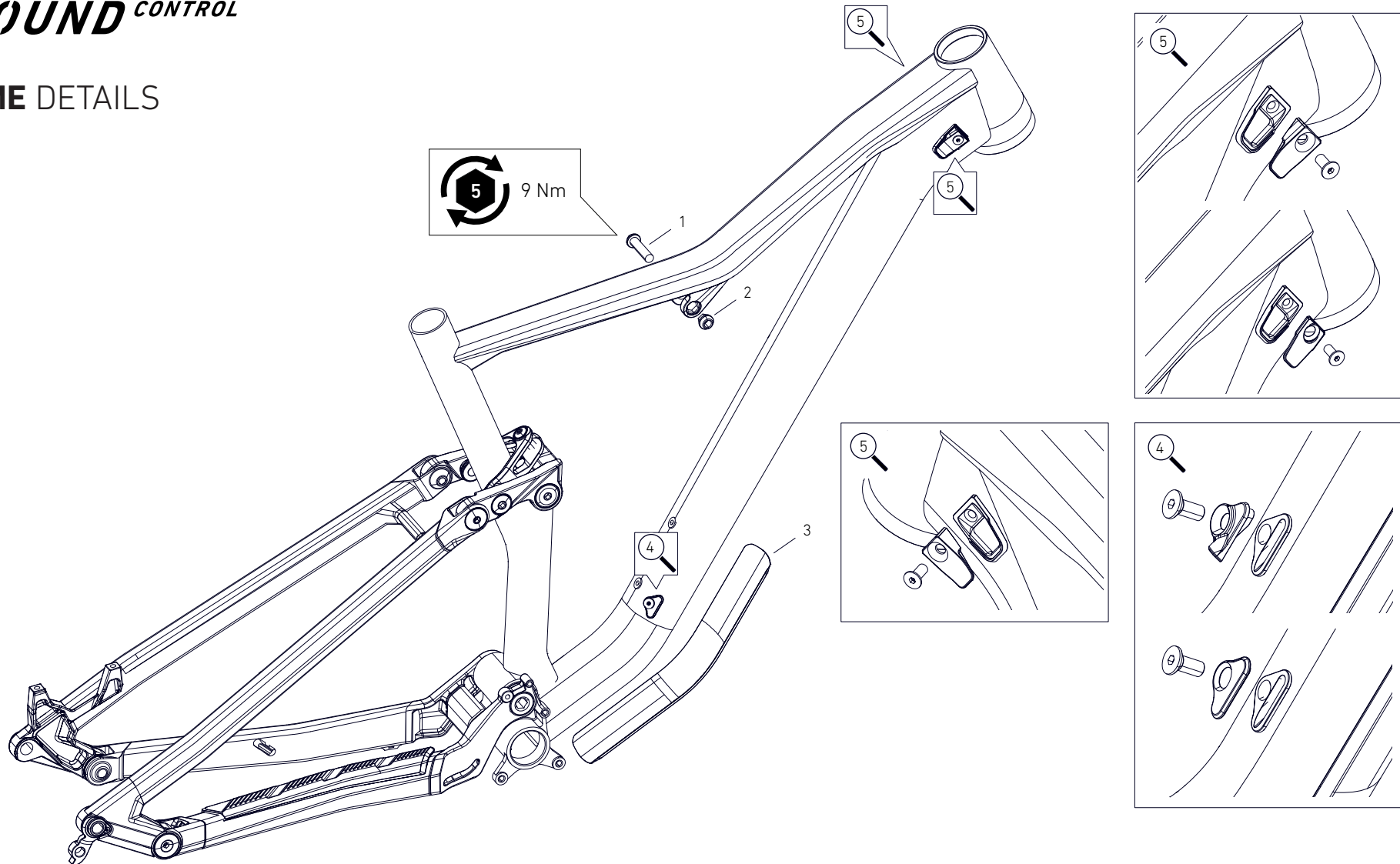
rosebikes.de/support

ROSE Bikes GmbH
Schersweide 4
46395 Bocholt, Germany

GROUND CONTROL

FRAME DETAILS
MODELYEAR 2020 - 2024

FRAME DETAILS

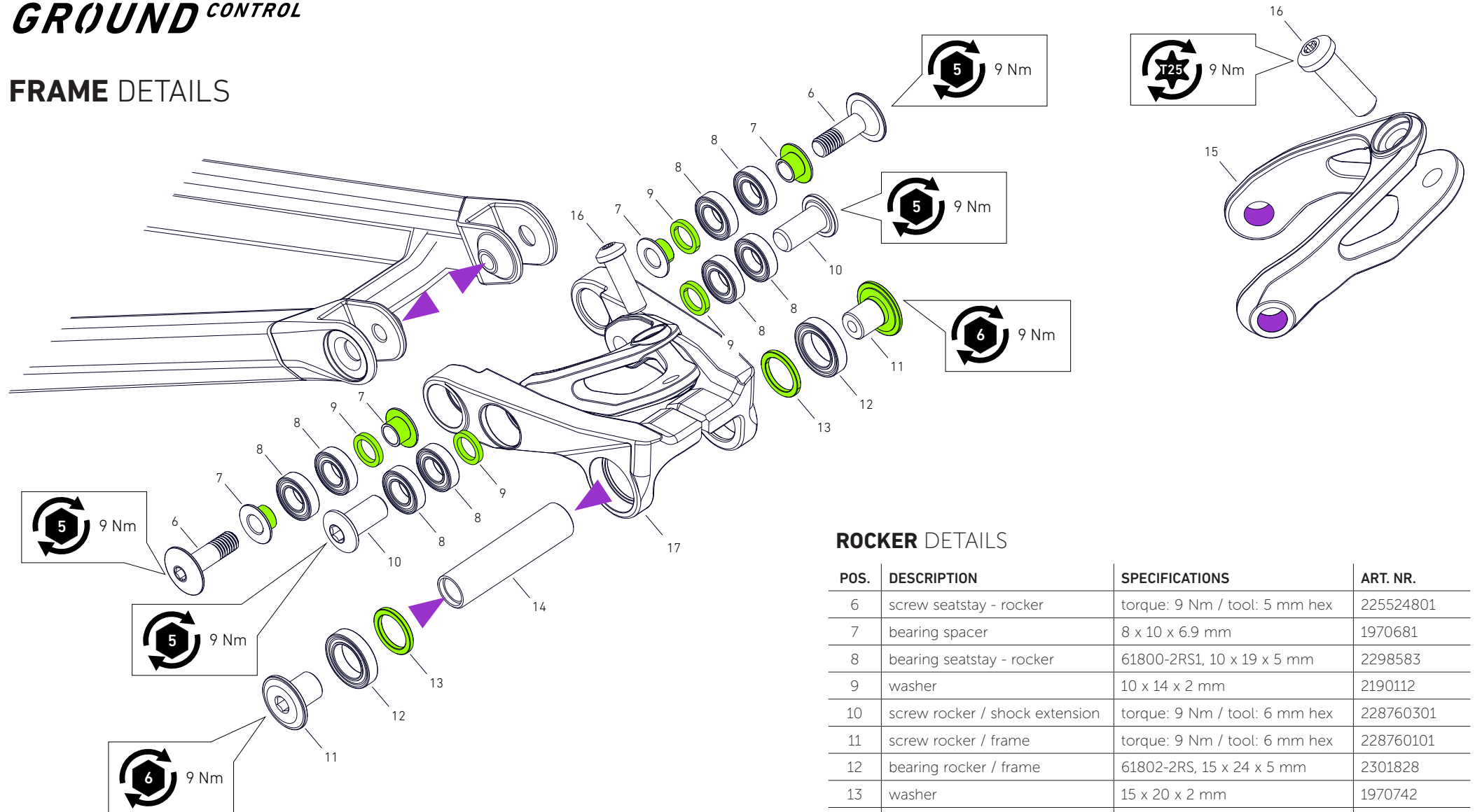


MAIN FRAME DETAILS

POS.	DESCRIPTION	SPECIFICATIONS	ART. NR.
1	shock screw	M8 x 35 mm, torque: 9 Nm / tool: 5 mm hex	229968201
2	shock screw nut		2251949
	GREASE	DYNAMIC GALLI BEARING 100 g	49217800
		DYNAMIC GALLI BEARING 400 g	49217900
	THREADLOCKER	mid strength, for example Art. Nr. 1322431	

POS.	DESCRIPTION	SPECIFICATIONS	ART. NR.
3	frame protector downtube		2297692
4	cable inlet downtube	incl. fixing screw M5 x 12 mm	2251942
	blind cover	incl. fixing screw M5 x 12 mm	2251946
5	cable inlet headtube	incl. fixing screw M5 x 12 mm	2251724
	blind cover	incl. fixing screw M5 x 12 mm	2251945

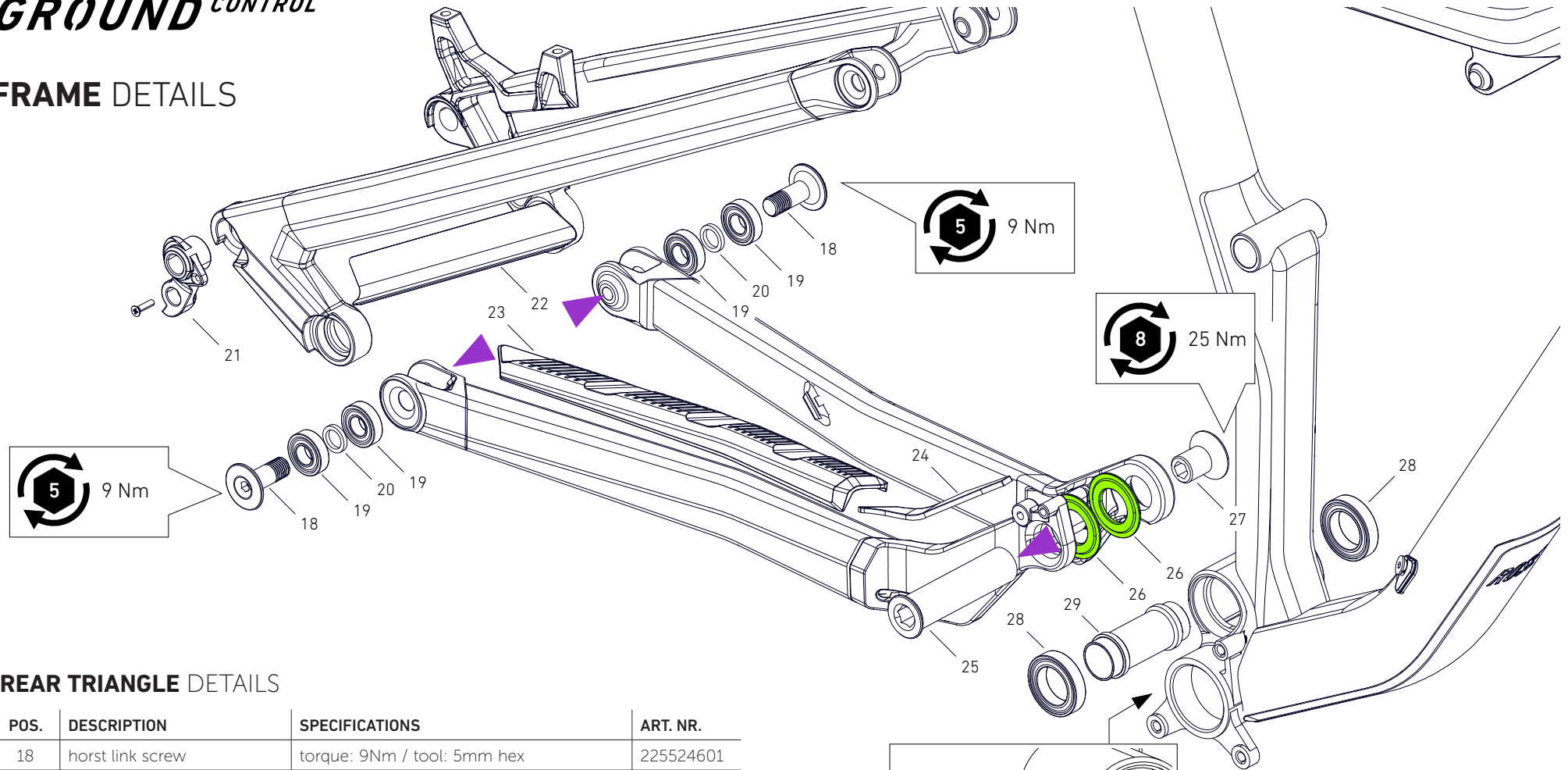
FRAME DETAILS



ROCKER DETAILS

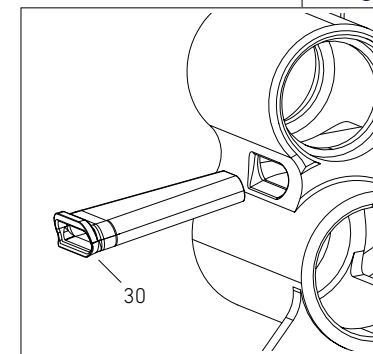
POS.	DESCRIPTION	SPECIFICATIONS	ART. NR.
6	screw seatstay - rocker	torque: 9 Nm / tool: 5 mm hex	225524801
7	bearing spacer	8 x 10 x 6.9 mm	1970681
8	bearing seatstay - rocker	61800-2RS1, 10 x 19 x 5 mm	2298583
9	washer	10 x 14 x 2 mm	2190112
10	screw rocker / shock extension	torque: 9 Nm / tool: 6 mm hex	228760301
11	screw rocker / frame	torque: 9 Nm / tool: 6 mm hex	228760101
12	bearing rocker / frame	61802-2RS, 15 x 24 x 5 mm	2301828
13	washer	15 x 20 x 2 mm	1970742
14	rocker pivot		2140339
15	shock extension		228760001
16	screw shock extension / shock	torque: 9 Nm / tool: T25 Torx	228423801
17	rocker	29" M-XL 27.5" S	228760501 229389501
	GREASE	DYNAMIC GALLI BEARING 100 g DYNAMIC GALLI BEARING 400 g	49217800 49217900
	THREADLOCKER	mid strength, for example Art. Nr. 1322431	

FRAME DETAILS



REAR TRIANGLE DETAILS

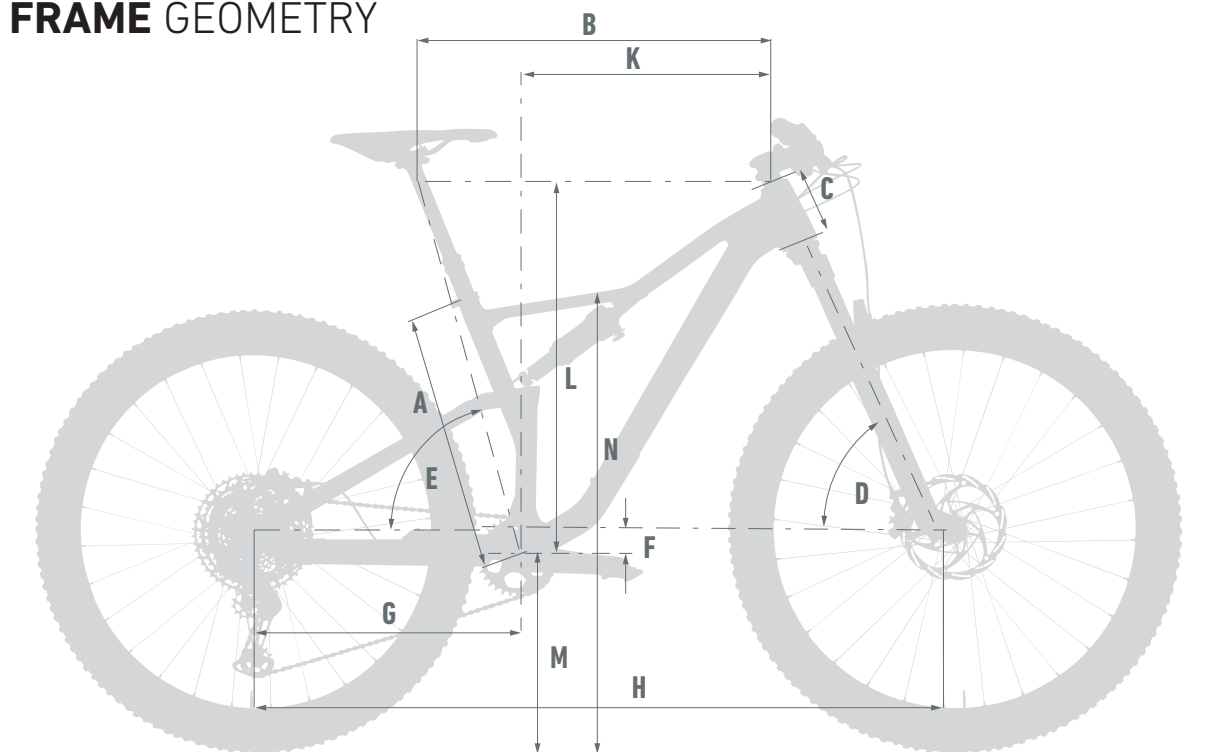
POS.	DESCRIPTION	SPECIFICATIONS	ART. NR.
18	horst link screw	torque: 9Nm / tool: 5mm hex	225524601
19	horst link bearing	10 x 22 x 6 / 6.5 mm, 61900E-2RS	2301827
20	washer	10 x 14 x 2 mm	2190112
21	derailleur hanger	Rose No. 37, incl. fixing screw M3 x 12 mm	225194101
22	frame protection seatstay		2302245
23	frame protection chainstay		2297690
24	frame protection yoke		2300930
25	main pivot bolt		2251935
26	yoke spacer	18 x 33.5 x 2.5 mm	2251940
27	main pivot screw	torque: 25 Nm / tool: 8 mm hex	2251937
28	main pivot bearing	20 x 32 x 7 mm / 61804-2RS1	2301826
29	main pivot spacer		225194001
30	BB sleeve		230340701



 GREASE
 THREADLOCKER

DYNAMIC GALLI BEARING 100 g	49217800
DYNAMIC GALLI BEARING 400 g	49217900
mid strength, for example Art. Nr. 1322431	

FRAME GEOMETRY



FRAME INTERFACES

BOTTOM BRACKET	BSA 73 mm
HEADSET	ZS 44 / 56
REAR WHEEL AXLE	length: 180 mm, M12 x 1.75, thread length: 20 mm e.g. DT Swiss RWS Boost Plug In axle, Art. Nr. 2269801
SHOCK LENGTH X STROKE	190 x 45 mm
SHOCK HARDWARE	Ø8 x 15 mm / Ø8 x 20 mm
REAR BRAKE MOUNT	PM 180
MAX. Ø REAR BRAKE DISC	203 mm
Ø SEAT TUBE	31.6 mm, internal dropper compatible
Ø SEAT POST CLAMP	36 mm, e.g. ROSE seat post clamp, Art. Nr. 226113801
MAX. TIRE WIDTH	2.6"
WHEEL SIZE	S. 27,5" / M-XL: 29"
MAX. CHAINRING SIZE	36 T
ISCG	ISCG 05
REAR HUB SPACING	Boost 12 x 148 mm

MAX SYSTEM WEIGHT (RIDER + BICYCLE + CLOTHING + GEAR + LUGGAGE): 120 KG

		SIZE S	SIZE M	SIZE L	SIZE XL
SEAT TUBE LENGTH	A	410 mm	440 mm	470 mm	500 mm
TOP TUBE LENGTH	B	558 mm	586 mm	614 mm	641 mm
HEAD TUBE LENGTH	C	105 mm	105 mm	115 mm	125 mm
HEAD ANGLE	D	67°	67°	67°	67°
SEAT ANGLE EFFECTIVE	E	75,5°	76°	76°	76°
SEAT ANGLE REAL		68,3°	68,4°	68,6°	68,8°
BB DROP	F	16,5 mm	36 mm	36 mm	36 mm
CHAIN STAY LENGTH	G	424,5 mm	441 mm	441 mm	441 mm
WHEEL BASE	H	1111 mm	1163 mm	1192 mm	1221 mm
REACH	K	410 mm	435 mm	460 mm	485 mm
STACK	L	572 mm	606 mm	615 mm	625 mm
BB HEIGHT	M	340 mm	340 mm	340 mm	340 mm
STANDOVER HEIGHT	N	741 mm	771 mm	771 mm	771 mm