

ROSE



ANY QUESTIONS?

rosebikes.de/support

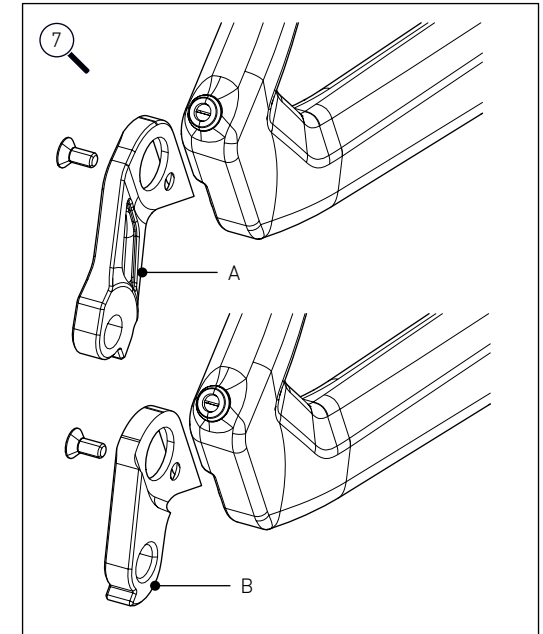
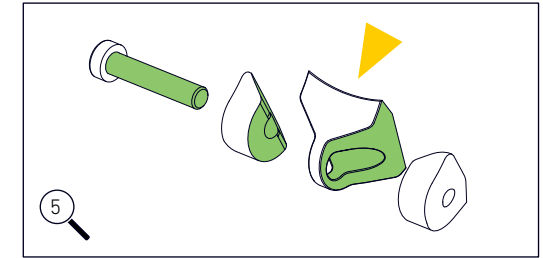
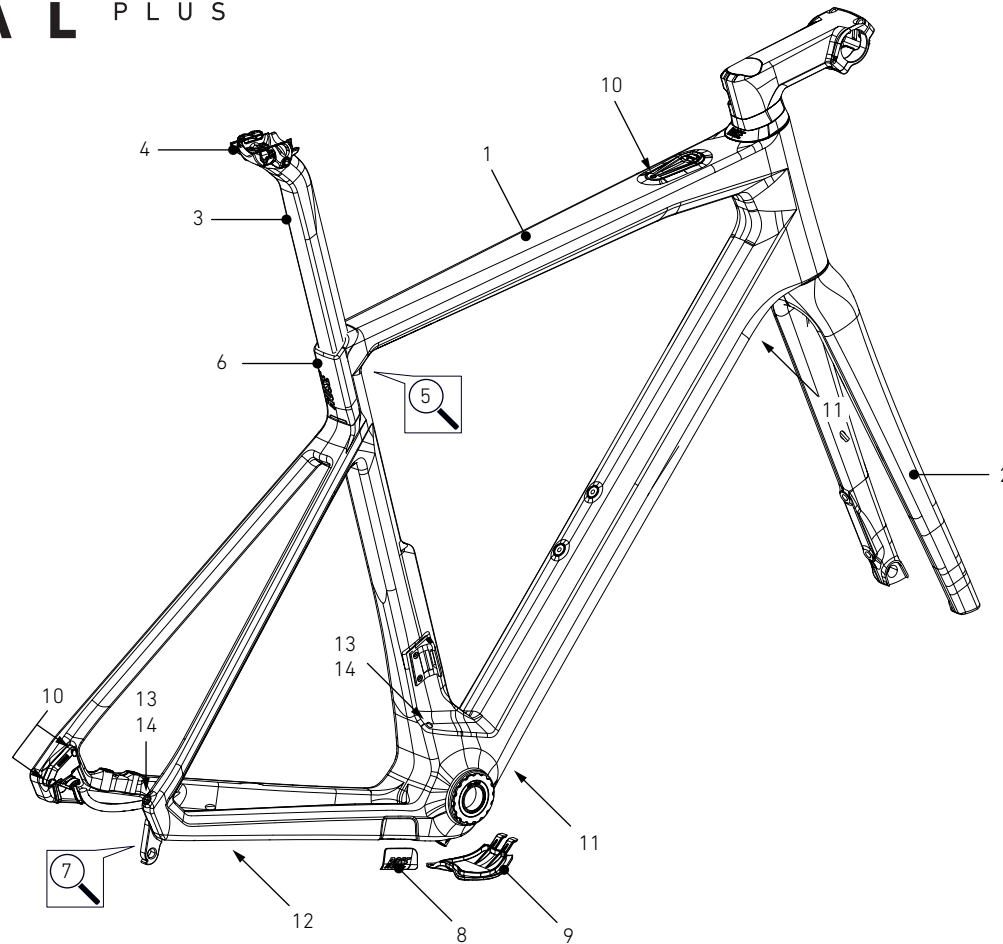
ROSE Bikes GmbH
Schersweide 4
46395 Bocholt, Germany

R E V E A L P L U S

FRAME DETAILS



REVEAL PLUS

FRAME DETAILS



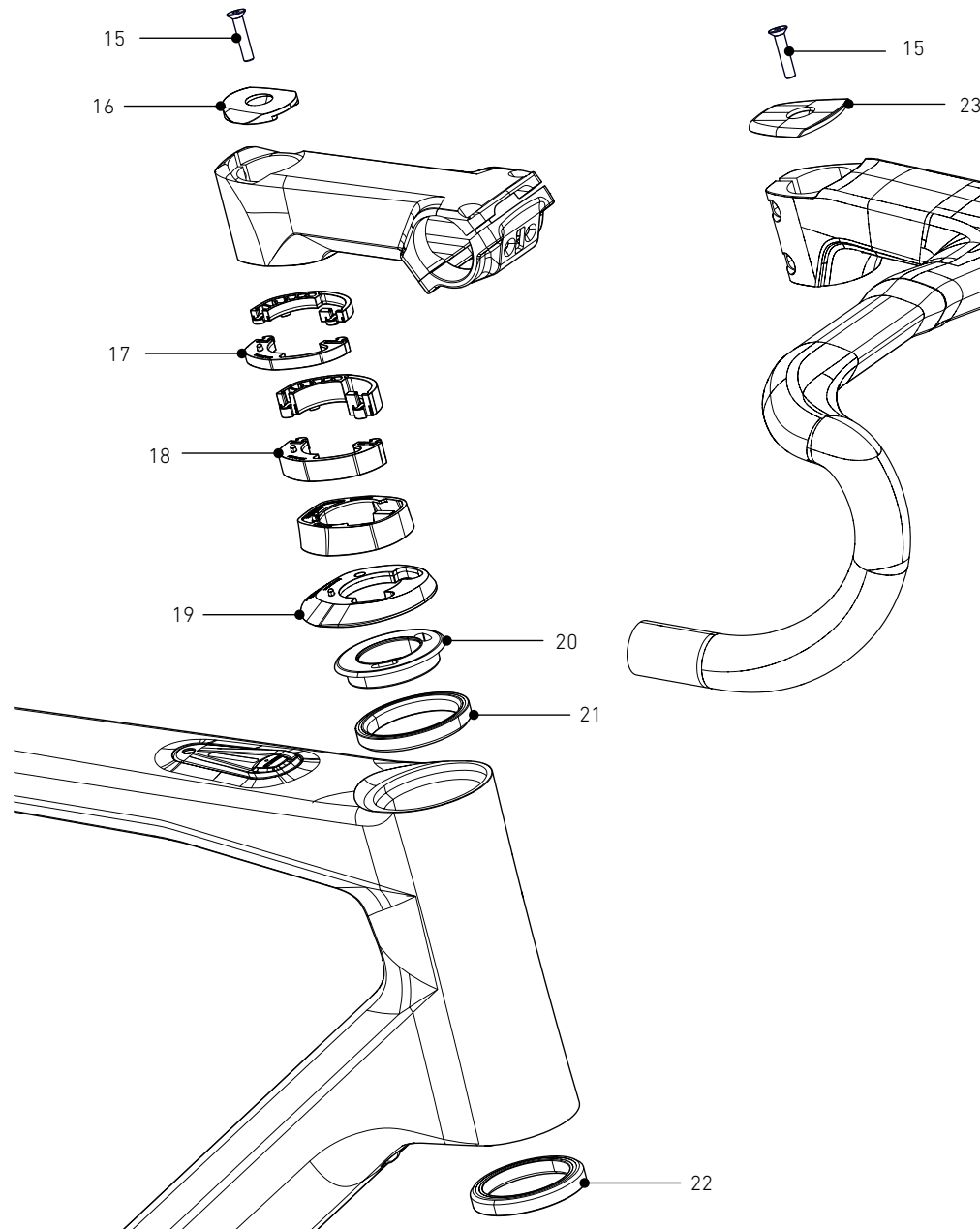
POS.	DESCRIPTION	SPECIFICATIONS	ART. NR.
1	frame	color: borealis green	2310728
		color: matt carbon / gold	2317054
2	fork	color: borealis green	2310729
		color: matt carbon	2317055
3	seatpost	490 mm length / 25 mm setback	2297790
		400 mm length / 8 mm setback	2310681
4	saddle clamp	Ø 7 mm rail	2284193
5	seatpost clamp	torque: max. 5 Nm	2289345
6	seatpost clamp cover		2289340
7	derailleur hanger	A: direct type (Shimano) incl. M4 x 8 screw	2311033
		B: regular type (Sram) incl. M4 x 8 screw	2321686

POS.	DESCRIPTION	SPECIFICATIONS	ART. NR.
8	chainsuck protector		2321681
9	battery cover	incl. 2x M4x10mm screw	2321677
10	screw	M3x10 mm (DIN 7991)	2318923
11	screw	M5x10 mm (DIN7380-2)	2311030
12	cable guide		2319312
13	Shimano Di2 plug		2289347
14	SRAM AXS plug		2198822
	cable connector plug		2330969

	GREASE	Motorex Bike Grease 2000 100 g	49208600
	CARBON ASSEMBLY PASTE	for example DYNAMIC, Art. Nr. 25377201	

REVEAL PLUS

FRAME DETAILS

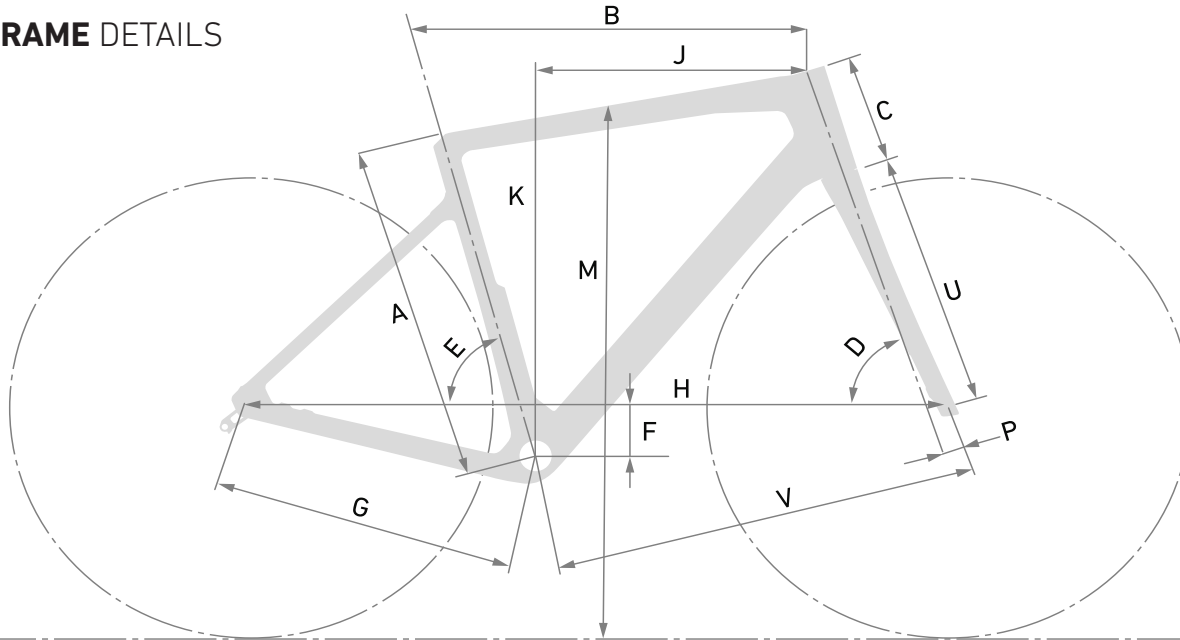


HEADSET DETAILS

POS.	DESCRIPTION	SPECIFICATIONS	ART. NR.
headset for square stem			
15	countersunk head screw	DIN7991, M6 X 30 mm	2292459
16	top cap	also available individually, art. nr. 2316614	
17	spacer		
18	spacer		
19	headtube cover		
20	compression ring	Ø1 1/8"	
21	upper bearing	42 x 52 x 7 mm	
22	lower bearing	40 x 52 x 7 mm, R1	
headset for one piece cockpit			
15	countersunk head screw	DIN7991, M6 X 30 mm	2319196
17	spacer		
18	spacer		
19	headtube cover		
20	compression ring	Ø1 1/8"	
21	upper bearing	42 x 52 x 7 mm	
22	lower bearing	40 x 52 x 7 mm, R1	
23	top cap	only for one piece cockpit	2318265

REVEAL PLUS

FRAME DETAILS



FRAME GEOMETRY

		XS	S	M	L	XL
SEATTUBE LENGTH [MM]	A	445	478	505	537	576
TOPTUBE LENGTH HORIZONTAL [MM]	B	507	530	549	572	598
HEADTUBE LENGTH [MM]	C	120	140	162	187	215
HEAD TUBE ANGLE	D	71°	72°	73°	73°	73°
SEAT TUBE ANGLE	E	75,5°	74,75°	74,5°	74°	73,5°
BB DROP [MM]	F	75		72		
REAR CENTER [MM] (CHAINSTAY LENGTH) [MM]	G	412	412	415	417	418
WHEELBASE [MM]	H	981	984	1000	1020	1042
REACH [MM]	J	368	377	388	399	411
STACK [MM]	K	537	559	581	605	632
STAND-OVER HEIGHT (100 MM BEFORE BB)	M	750	775	802	828	861
FORK LENGTH [MM]	U	387				
FRONT CENTER [MM]	V	581	588	596	614	634
STACK TO REACH RATIO		1,46	1,48	1,50	1,52	1,54
FORK OFFSET [MM]	P	46				

FRAME INTERFACES

REAR WHEEL AXLE	12 x 142 mm, ROSE Art. Nr.: 2305768
REAR BRAKE MOUNT	Flatmount 160 mm
MAX Ø DISC	160 mm only!
Ø SEATPOST	D-shape
MAX. TIRE SIZE	(max. 33 mm)
FRONT DERAILLEUR MOUNT	only 2by max 52/36
BOTTLE CAGE	yes, 2x
MAX. TIRE WIDTH	33 mm
REAR RACK MOUNT	no!

FORK INTERFACES

FRONT WHEEL AXLE	12 x 100 mm: ROSE Art. Nr.: 227585701
FRONT BRAKE MOUNT	Flatmount 160 mm - 180 mm
MAX Ø DISC	180 mm
MAX. TIRE WIDTH	33 mm
BOTTLE CAGE	no!

MAX SYSTEM WEIGHT (RIDER + BICYCLE + CLOTHING + GEAR + LUGGAGE): 110 KG
 INTENDED USE: DIN 17406 CATEGORY 6