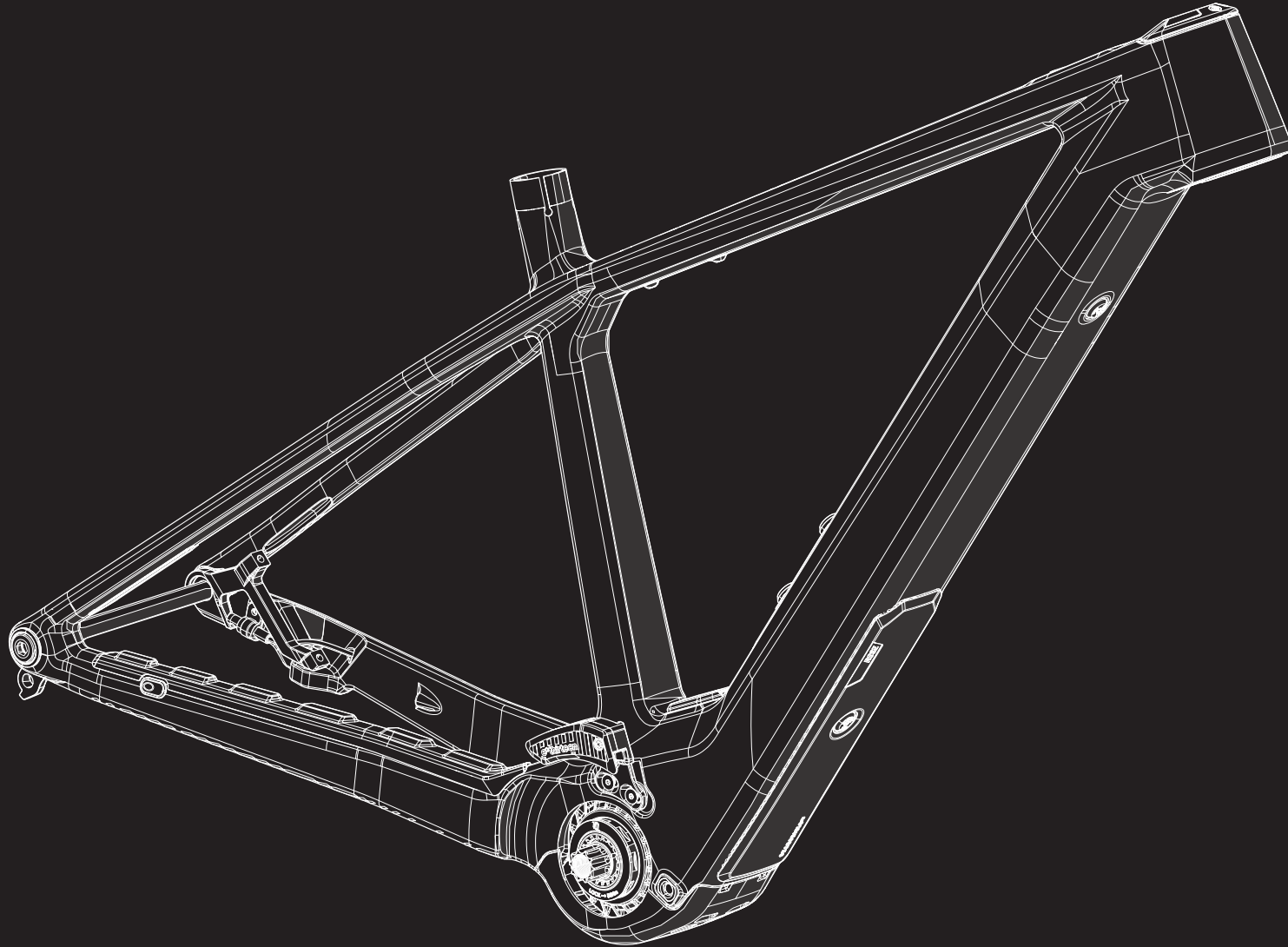


# *ROSE*



**ANY QUESTIONS?**

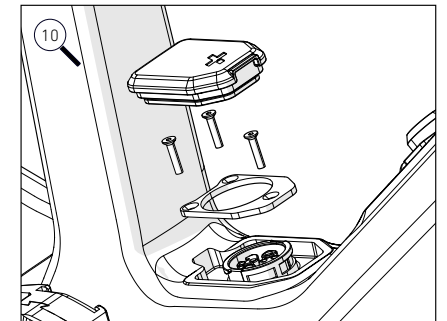
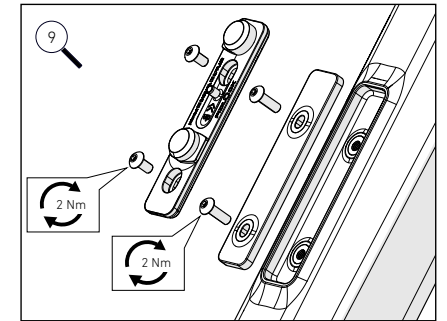
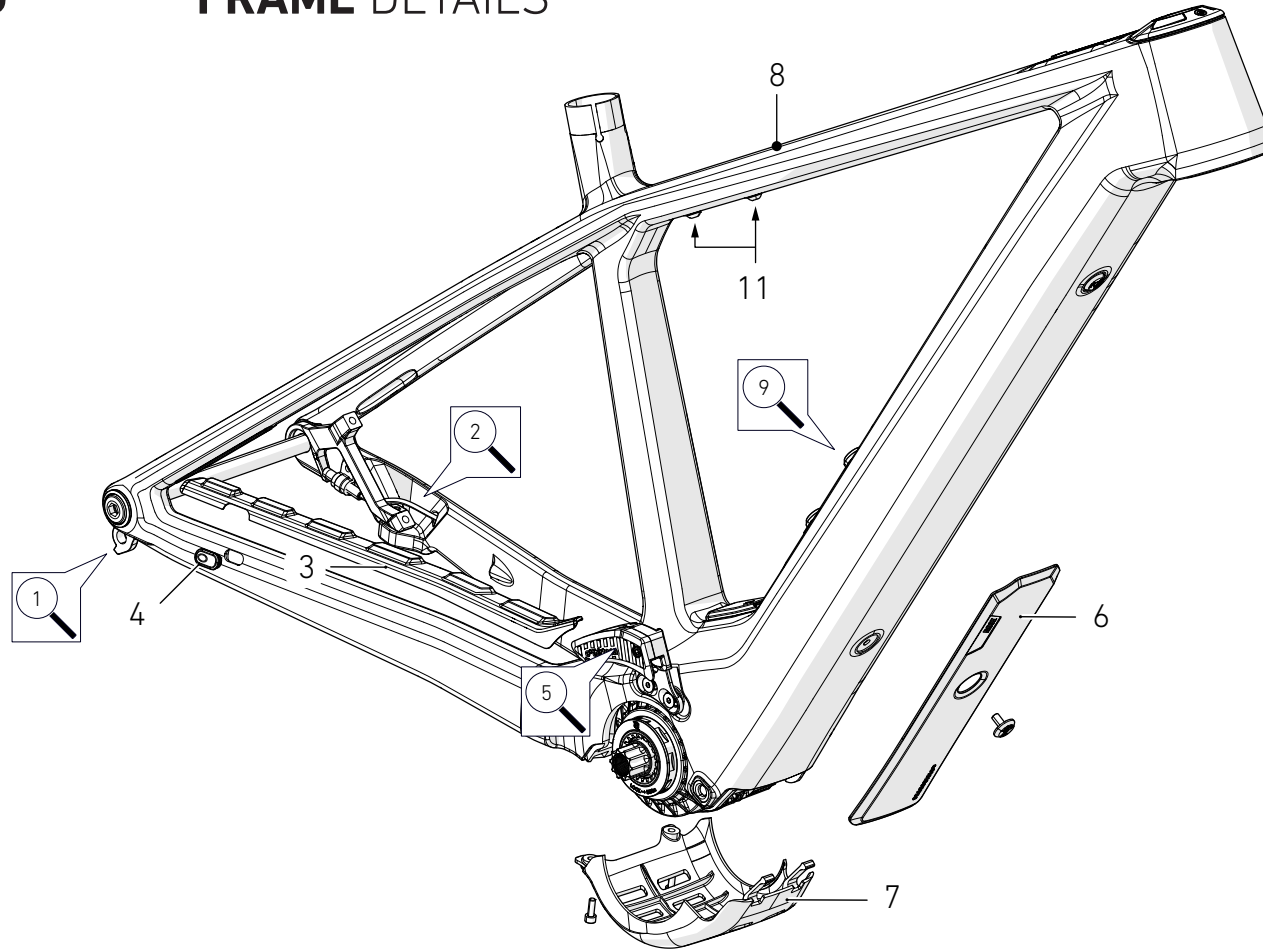
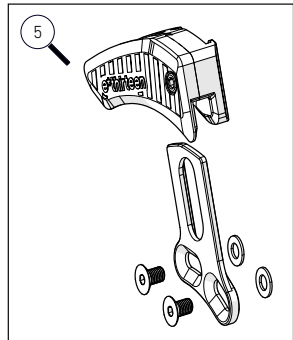
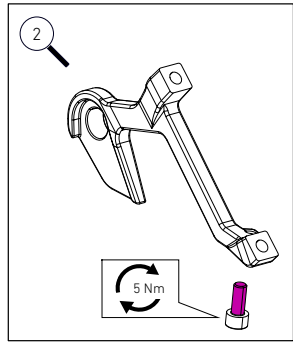
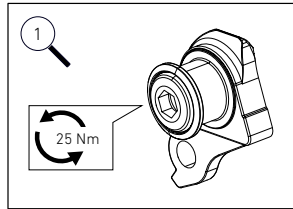
[rosebikes.de/support](https://rosebikes.de/support)

ROSE Bikes GmbH  
Schersweide 4  
46395 Bocholt, Germany

**B O N E R O P L U S**

**FRAME DETAILS**

# BONERO PLUS FRAME DETAILS



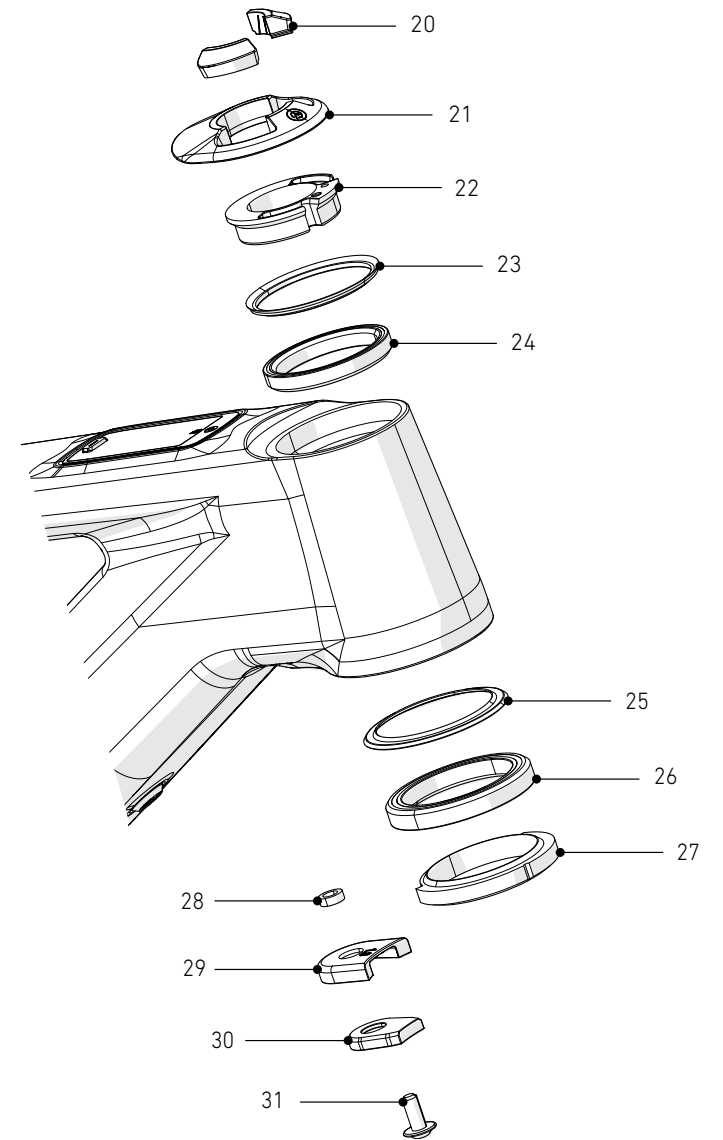
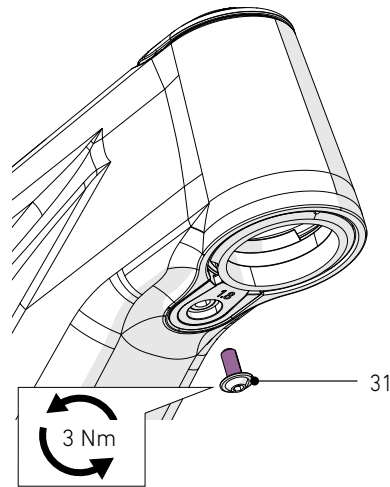
## FRAME SPARE PARTS

POS.	DESCRIPTION	SPECIFICATIONS	ART. NR.
1	derailleur hanger	SRAM UDH	230116501
2	brake adapter	PM, including fixing screw	234713601
3	chainstay protector		234717401
4	CS exit grommet		234329901
5	chain device baseplate		234716401
	chain guide	service only!	232885401
	screw	M5 x 12 mm	234716801
	washer	M5	234716601
6	DT protector		234714101

POS.	DESCRIPTION	SPECIFICATIONS	ART. NR.
7	motor cover		234716001
	screw motor cover	M4 x 10 mm	234716201
8	frame		
9	Fidlock TWIST bike base		234846901
	screw Fidlock bike base	M5 x 10 mm	234791201
	bottle cage adapter		234714301
	screw bottle cage adapter	M5 x 16 mm	234791101
10	charge port cover		234714601
	charge port screws	M2.5 x 12 mm	234791301
	charge port mount		234715001
11	screws for tool mount	M5 x 16 mm	234791101
	THREADLOCKER	mid strength	for example 1322431

# BONERO PLUS

## FRAME DETAILS



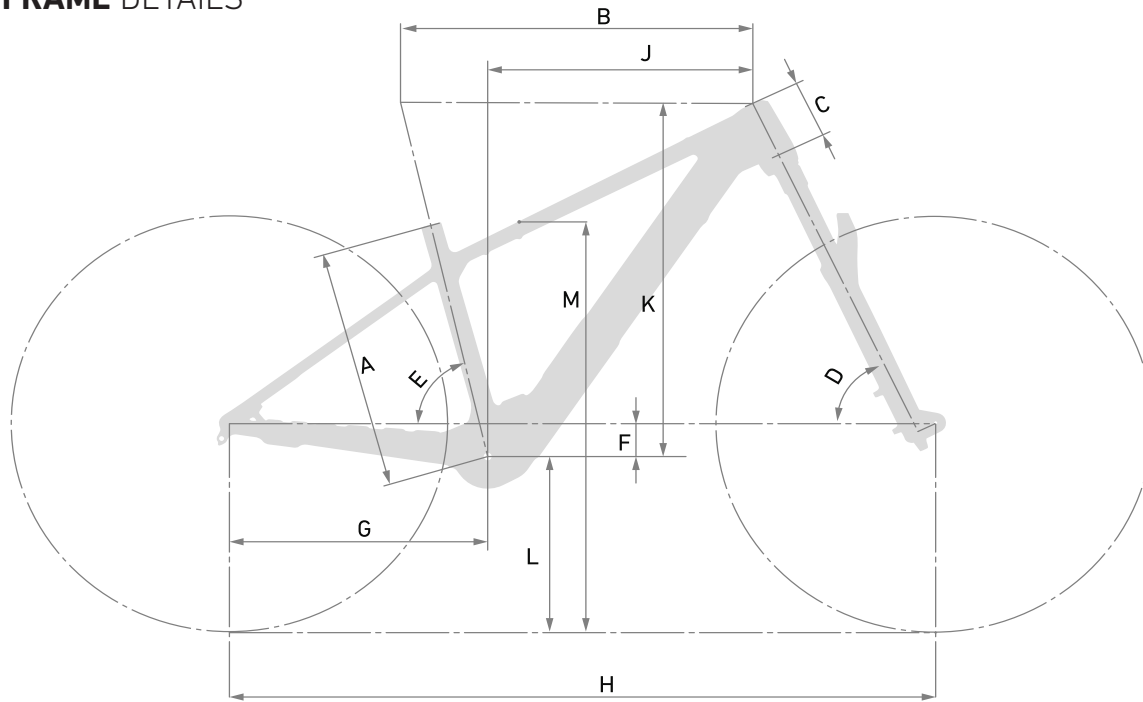
## HEADSET SPARE PARTS

POS.	DESCRIPTION	SPECIFICATIONS	ART. NR.
headset			234515401
20	ICR plug		service only!
21	top cover		
22	compression ring		
23	upper headset sealing		
24	upper headset bearing	42 x 52 x 7 mm	
25	lower headset sealing		
26	lower headset bearing	46 x 60 x 8 mm	
27	base plate	1.5", Block-Lock 135°	
28	HIP* spacer		234715601
29	HIP* elastomer		234715201
30	HIP* stop plate		234715401
31	HIP* screw	M6x14 mm, ISO 7380-2 3 Nm, use Loctite 243	234715801
	THREADLOCKER	mid strength	for example 1322431

\*HIP = Hidden Impact Protection

# BONERO PLUS

## FRAME DETAILS



## FRAME GEOMETRY

SIZE		S	M	L	XL
SEATTUBE LENGTH [MM]	A	400	430	460	500
TOPTUBE LENGTH HORIZONTAL [MM]	B	582	611	644	678
HEAD TUBE LENGTH	C	100	100	115	135
HEAD TUBE ANGLE	D	65	65	65	65
SEAT TUBE ANGLE	E	76	76	76	76
BB DROP [MM]	F	60	60	60	60
REAR CENTER [MM] (CHAINSTAY LENGTH)	G	446	446	446	446
WHEELBASE [MM]	H	1186	1215	1253	1291
REACH [MM]	J	425	455	485	515
STACK [MM]	K	632	633	646	664
BB HEIGHT	L	318	318	318	318
STANDOVER HEIGHT [MM]	M	762	766	798	817
FORK-OFFSET	P	44	44	44	44

## FRAME INTERFACES

HEADSET	IS52   IS60
REAR WHEEL AXLE	length: 180 mm, M12 x 1.0, thread length 13 mm / SRAM Maxle stealth rear for UDH use, Art.Nr. 230185901
DERAILLEUR HANGER	SRAM UDH, Art.Nr. 230116501
REAR BRAKE MOUNT	PM180
MAX Ø DISC BRAKE	203 mm
REAR HUB SPACING	12x148 mm
Ø SEATPOST	31.6 mm, internal dropper compatible
Ø SEATPOST CLAMP	34.9 mm, e.g. ROSE seat post clamp Art.Nr. 226113802
MAX. TIRE WIDTH	2.6"
WHEEL SIZE	29"
CHAINRING SIZE	34T
BOTTLE CAGE	yes, 1x

MAX SYSTEM WEIGHT (RIDER + BICYCLE + CLOTHING + GEAR + LUGGAGE): 130 KG

BICYCLE WEIGHT: 16.5 KG ± 5%

INTENDED USE: DIN 17406 CATEGORY 4