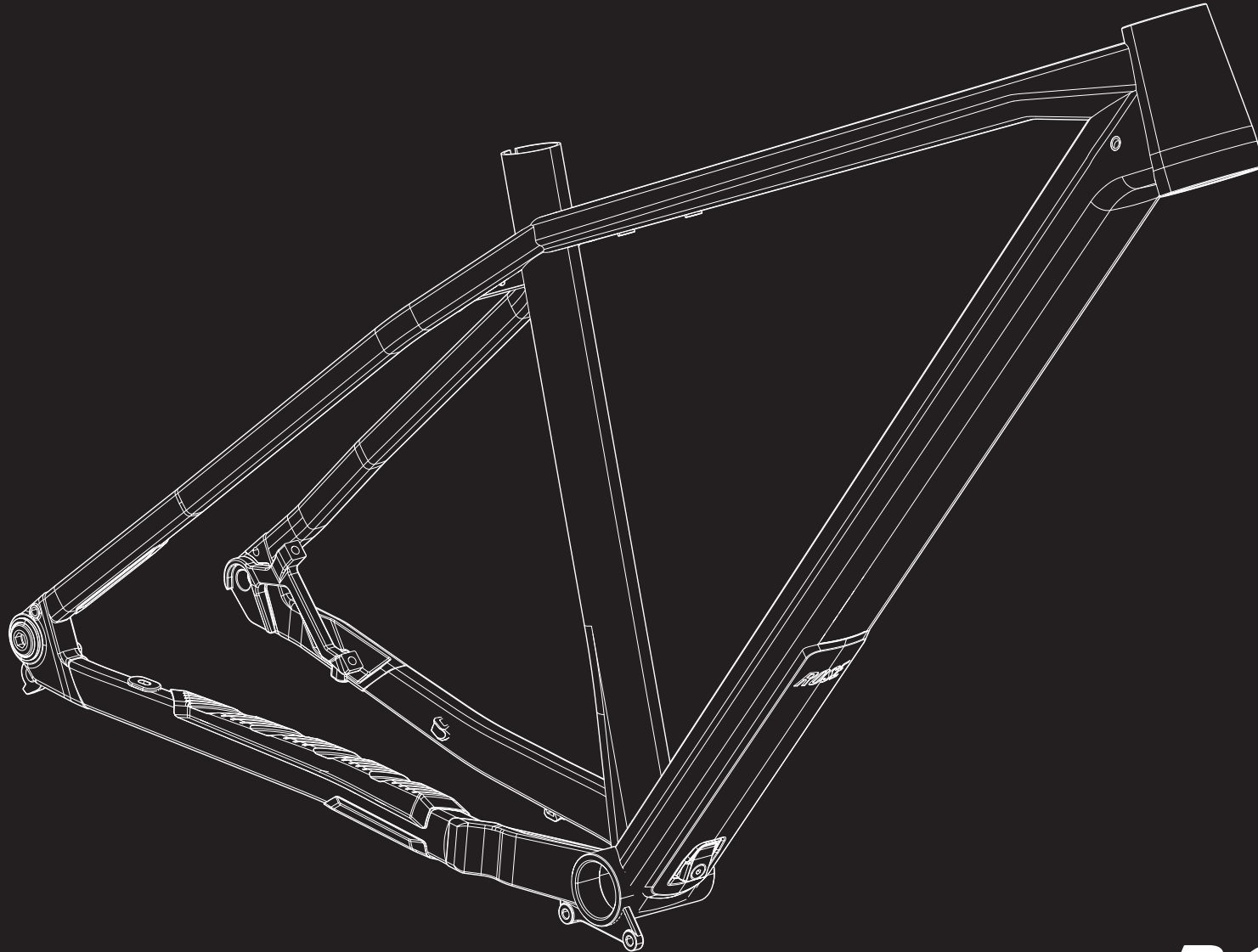


ROSE



ANY QUESTIONS?

rosebikes.de/support

ROSE Bikes GmbH
Schersweide 4
46395 Bocholt, Germany

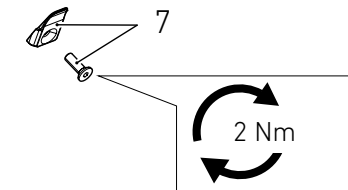
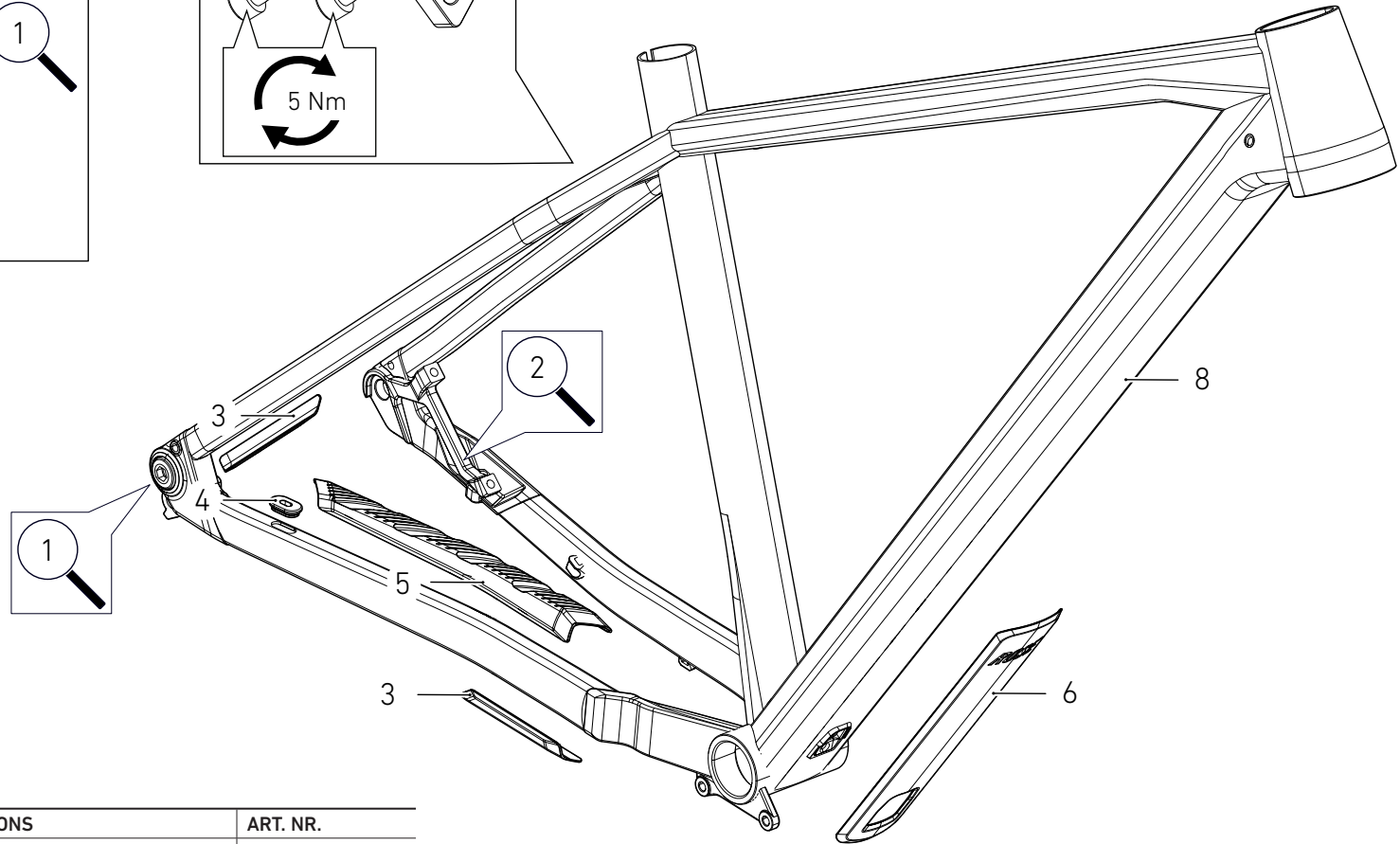
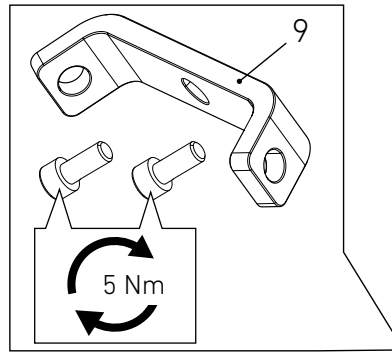
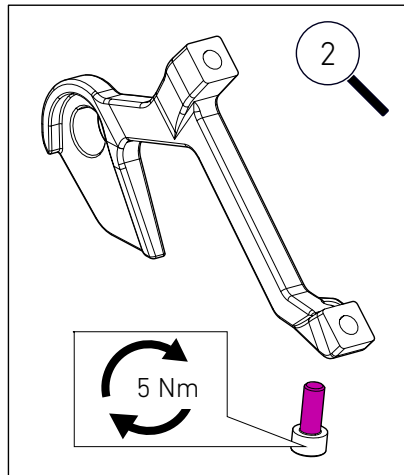
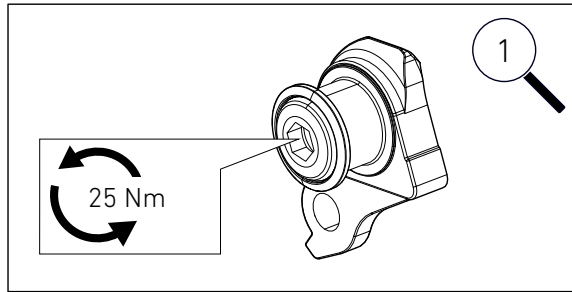
BONERO

MODELL YEAR 2022 - 2024

FRAME DETAILS

BONERO

FRAME DETAILS



FRAME SPARE PARTS

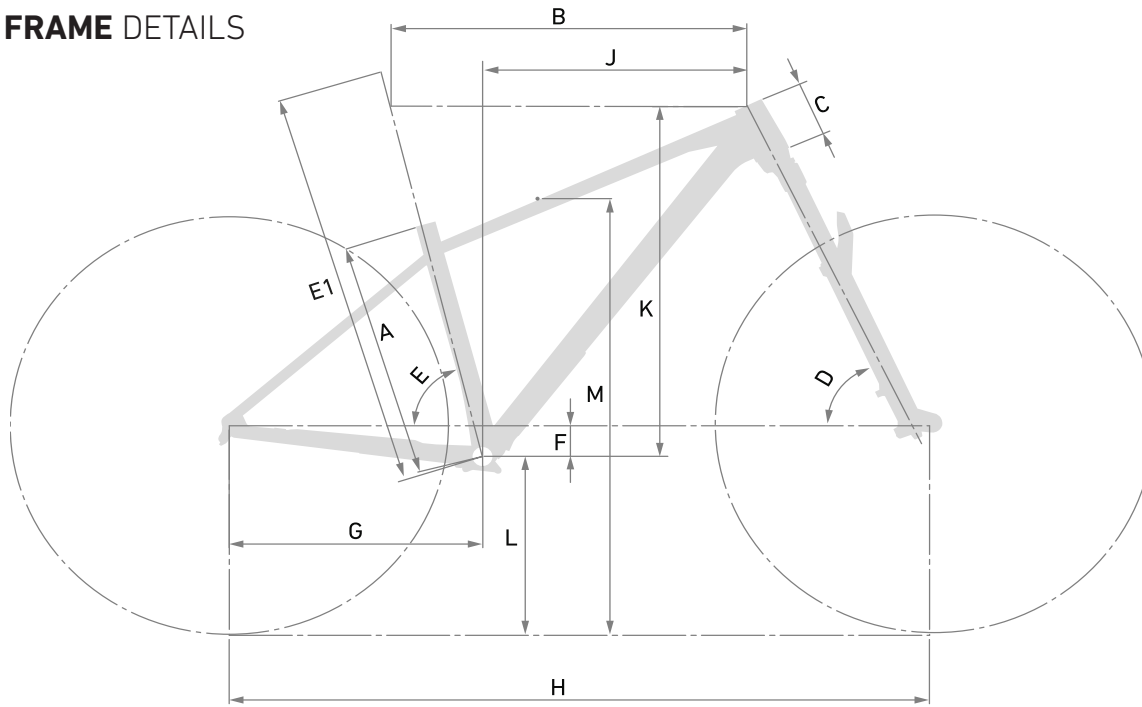
POS.	DESCRIPTION	SPECIFICATIONS	ART. NR.
1	derailleur hanger	SRAM UDH	230116501
2	brake adapter	PM, including fixing screw	231095501
3	frame protector	chainstay bottom / seatstay	231613701
4	cable exit plug		1725665
5	frame protector	chainstay top	231113101
6	frame protector	downtube	231095301
7	cable outlet cover		231095401
8	frame	color: sandy taco	2311190
		color: avocado green	2309109
9	seatstay bridge*	including 2 fixing screws	231113001

THREADLOCKER	mid strength	for example 1322431
--------------	--------------	---------------------

*this part is not fitted to the frame as standard

BONERO

FRAME DETAILS



FRAME GEOMETRY

SIZE		XS	S	M	L	XL	XXL
SEATTUBE LENGTH [MM]	A	370	400	430	460	500	540
TOPTUBE LENGTH HORIZONTAL [MM]	B	543	574	613	645	678	711
HEAD TUBE LENGTH	C	100	110	100	110	125	135
HEAD TUBE ANGLE	D	65°					
SEAT TUBE ANGLE	E	76°					
SEAT HEIGHT AVERAGED	E1	686	729	772	815	851	890
BB DROP [MM]	F	45	40	60			
REAR CENTER [MM] (CHAINSTAY LENGTH)	G	420	425	433	438	443	448
WHEELBASE [MM]	H	1112	1151	1201	1241	1281	1321
REACH [MM]	J	395	425	455	485	515	545
STACK [MM]	K	594	598	633	642	656	665
BB HEIGHT	L	313.5	318.5	318			
STANDOVER HEIGHT [MM]	M	726	754	782	788	799	827

FRAME INTERFACES

BOTTOM BRACKET	BSA 73
HEADSET	ZS 44 / 56, e.g. Art.Nr. 225871601
REAR WHEEL AXLE	length: 180 mm, M12 x 1.0, thread length 13 mm / SRAM Maxle stealth rear for UDH use, Art.Nr. 230185901
DERAILLEUR HANGER	SRAM UDH, Art.Nr. 230116501
REAR BRAKE MOUNT	PM180
MAX Ø DISC BRAKE	203 mm
REAR HUB SPACING	12x148 mm
Ø SEATPOST	31.6 mm, internal dropper compatible
Ø SEATPOST CLAMP	34.9 mm, e.g. ROSE seat post clamp Art.Nr. 226113802
MAX. TIRE WIDTH	2.6"
WHEEL SIZE	XS-S: 27,5" / M-XXL: 29"
MAX. CHAINRING SIZE	36T
ISCG	lower ISCG05 tabs
BOTTLE CAGE	yes, 1x

MAX SYSTEM WEIGHT (RIDER + BICYCLE + CLOTHING + GEAR + LUGGAGE): 120 KG
 INTENDED USE: DIN 17406 CATEGORY 4