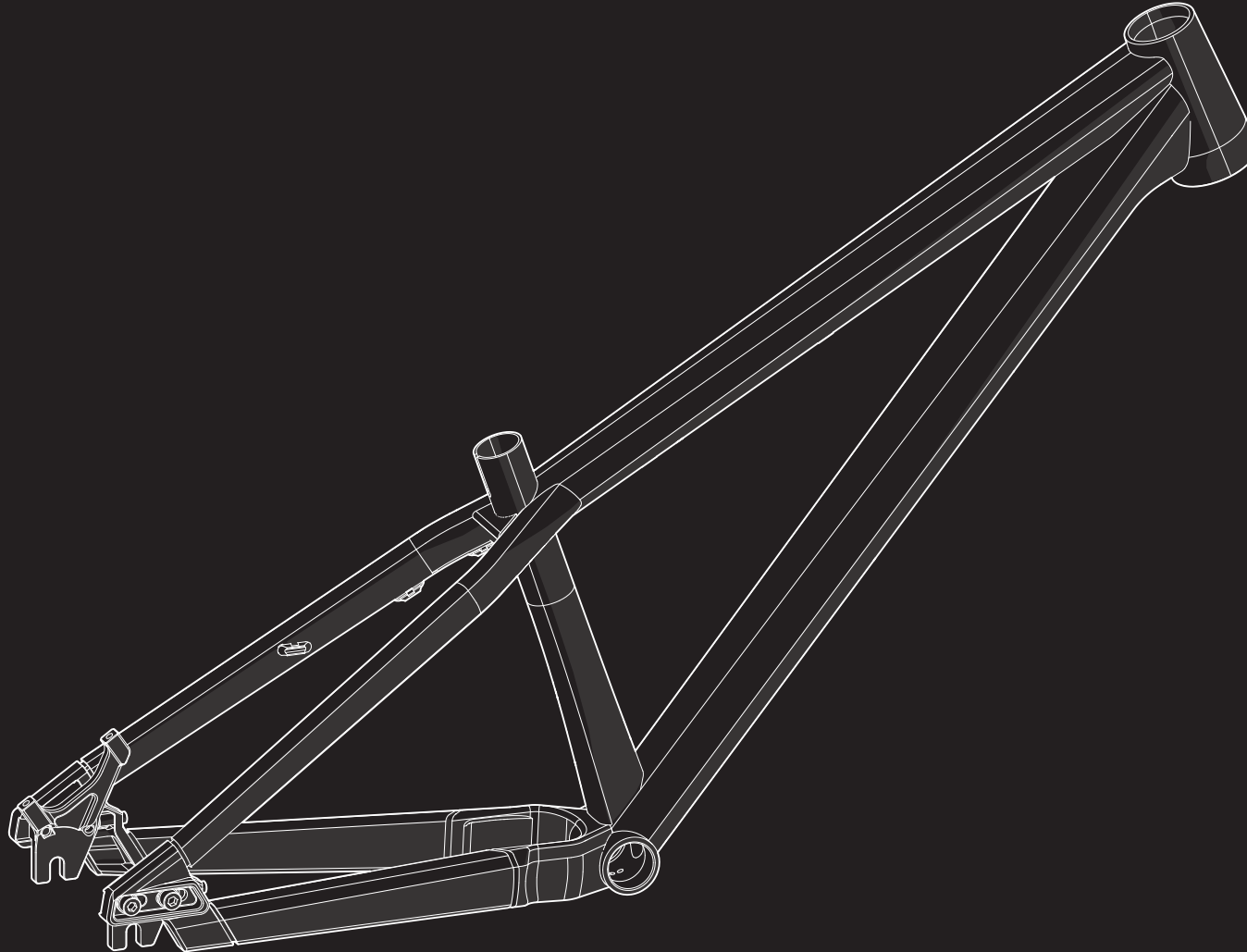


ROSE



ANY QUESTIONS?

rosebikes.de/support

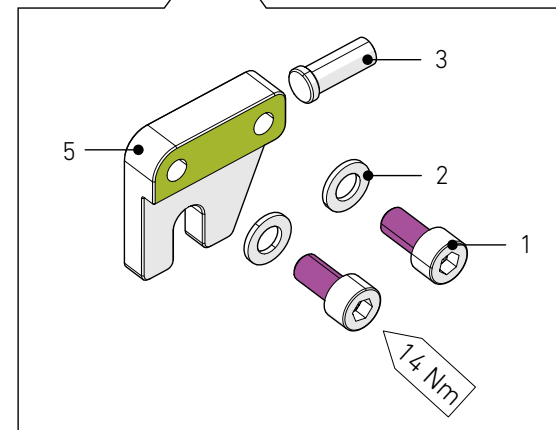
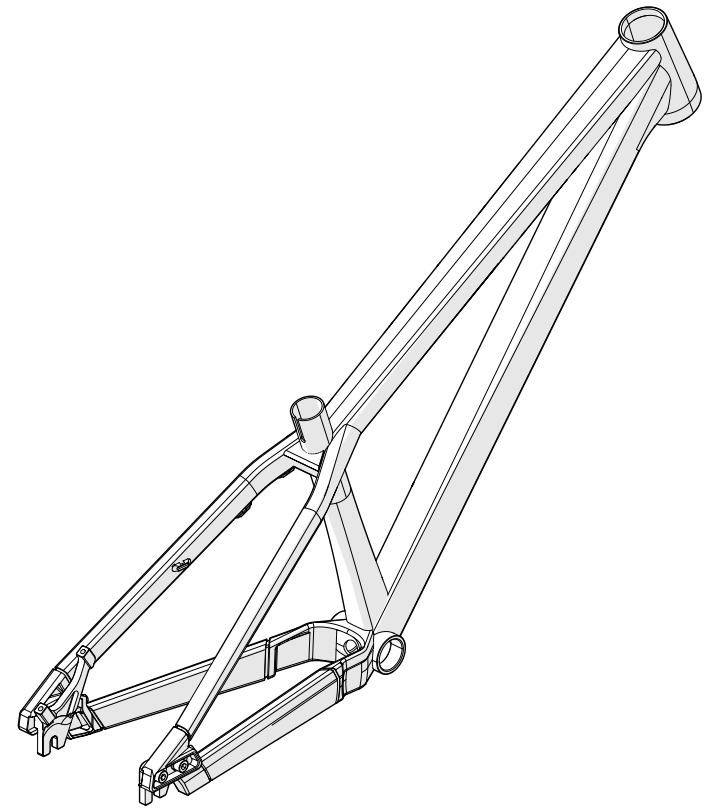
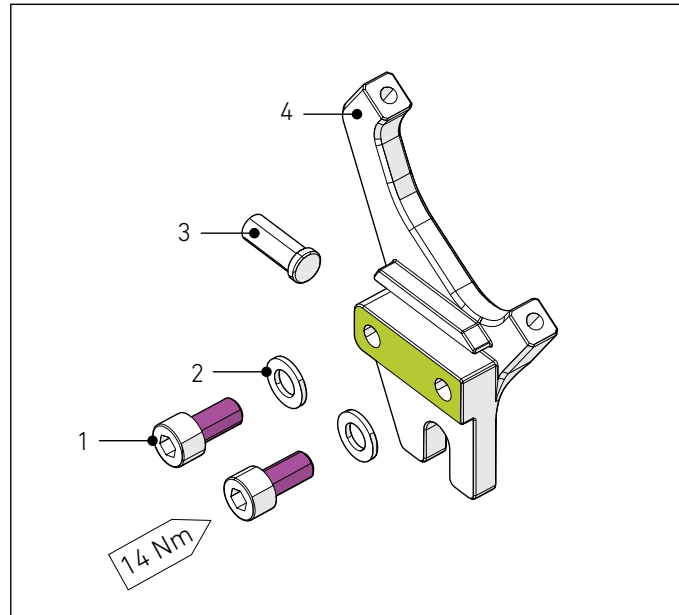
ROSE Bikes GmbH
Schersweide 4
46395 Bocholt, Germany

B R U C E

FRAME DETAILS

BRUCE

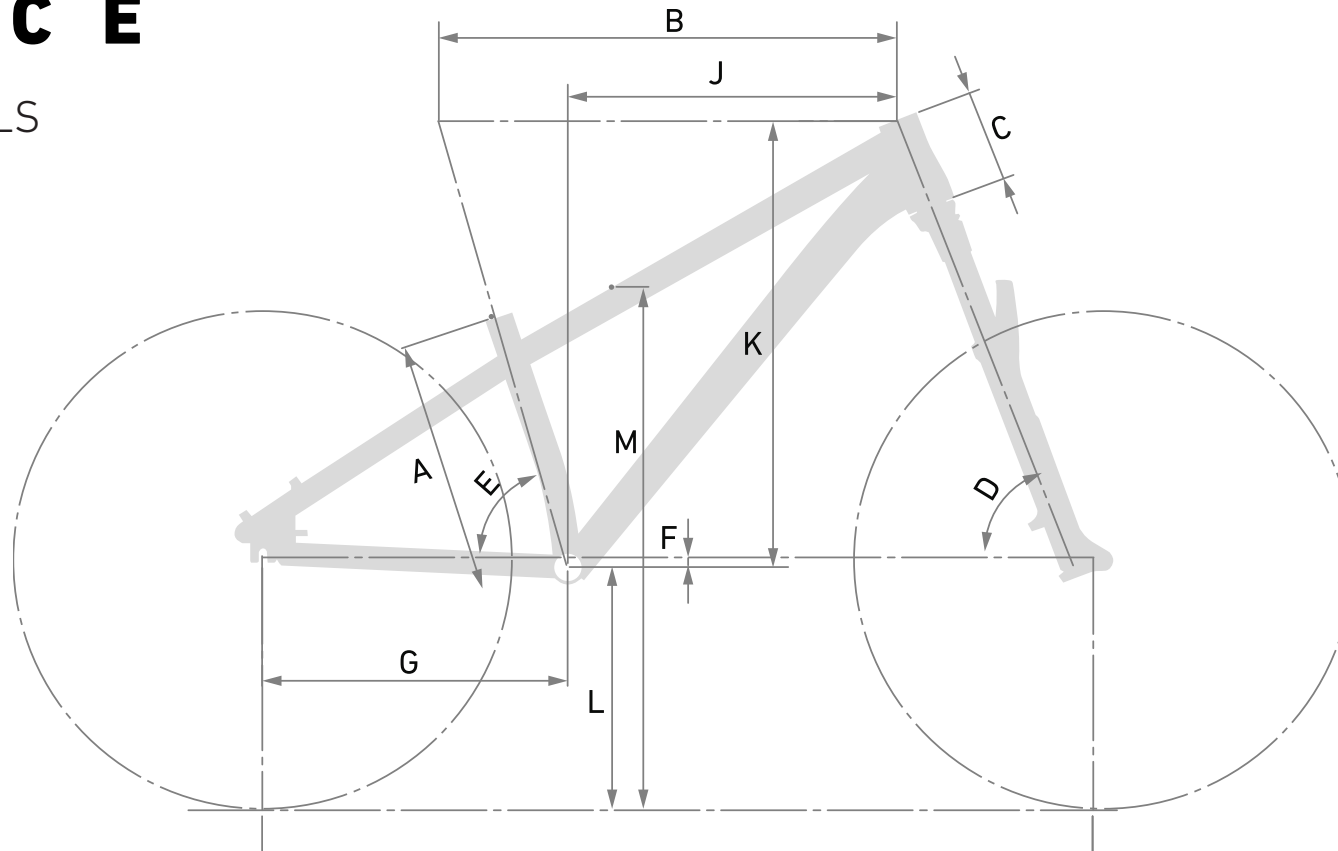
FRAME DETAILS



POS.	DESCRIPTION	SPECIFICATIONS	ART. NR.
1	cylinder head screw	ISO 4762 M8 x 16, 1 piece	228421301
2	washer	1 piece	
3	chain tensioner	M8x25 mm grub screws	1609060001
4	left dropout	incl. screws and washers (pos. 1 and 2)	1609070001
5	right dropout	incl. screws and washers (pos. 1 and 2)	1609080001
	GREASE	Motorex Bike Grease 2000 100 g	49208600
	THREADLOCKER	mid strength	1322431

BRUCE

FRAME DETAILS



FRAME GEOMETRY

		SIZE M	SIZE L
SEAT TUBE LENGTH	A	320 mm	
TOP TUBE LENGTH	B	575 mm	598 mm
HEAD TUBE LENGTH	C	115 mm	
HEAD TUBE ANGLE	D	69°	
SEAT TUBE ANGLE	E	73°	
BB DROP	F	-18 mm	
CHAIN STAY LENGTH	G	375 - 389 mm	
WHEEL BASE	H	1045 - 1059 mm	1068 - 1082 mm
REACH	K	406 mm	429 mm
STACK	L	552 mm	
BB HEIGHT	M	321 mm	
STANDOVER HEIGHT	N	692.5 mm	688 mm
TRAVEL FRONT		100 mm	

FRAME INTERFACES

BOTTOM BRACKET	BSA 73 mm
HEADSET	IS44 / 56, for example Art. Nr. 225871601
REAR BRAKE MOUNT	PM 160
MAX. Ø REAR BRAKE DISC	180 mm
Ø SEAT TUBE	30.9 mm
Ø SEAT POST CLAMP	34.9 mm, for example Art. Nr. 199994100
MAX. TIRE WIDTH	2.35"
WHEEL SIZE	26"
MAX. CHAINRING SIZE	36 T
REAR HUB SPACING	10 x 135 mm

MAX SYSTEM WEIGHT (RIDER + BICYCLE + CLOTHING + GEAR + LUGGAGE): 120 KG