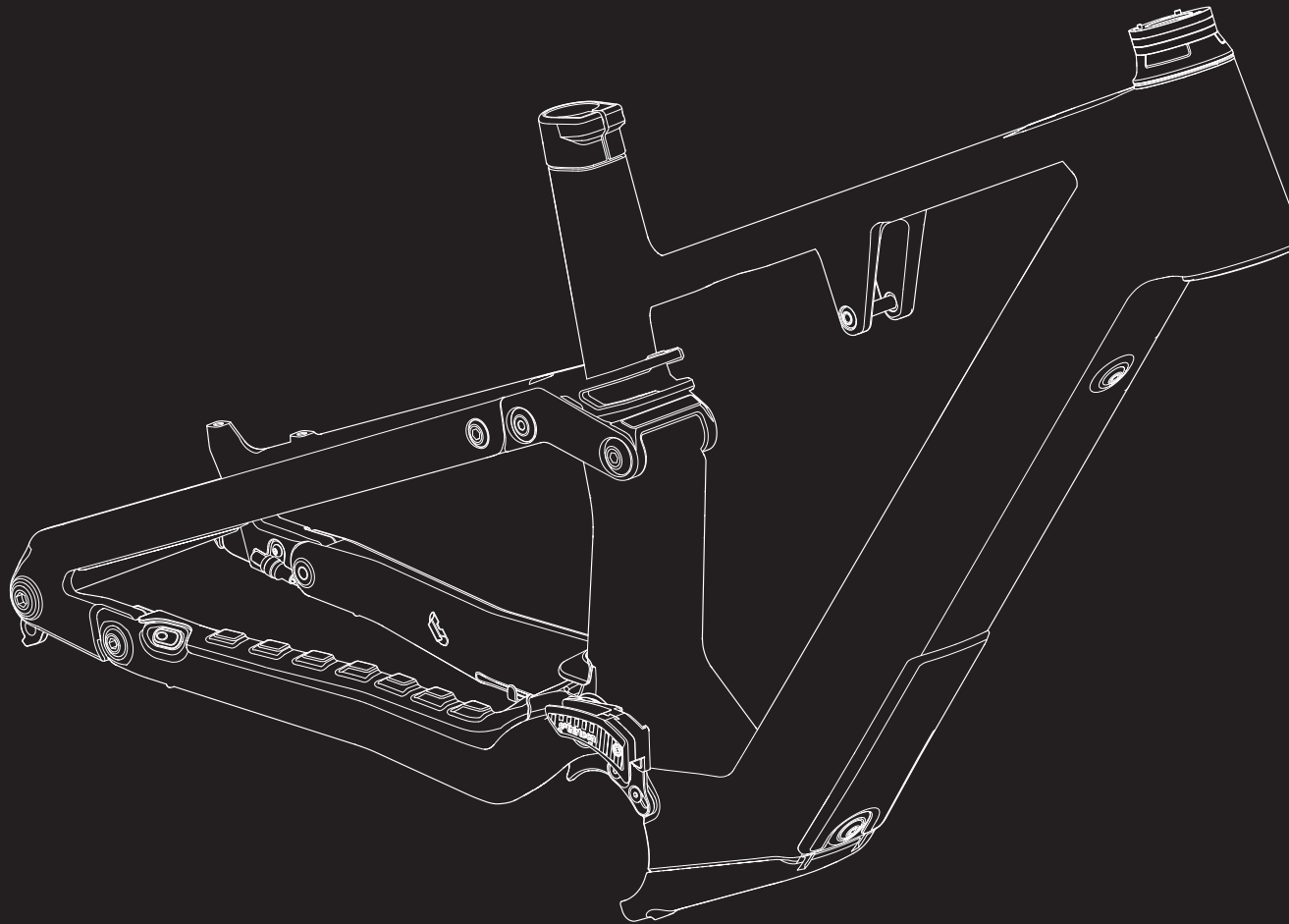


ROSE



ANY QUESTIONS?
rosebikes.de/support

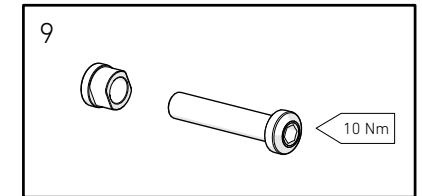
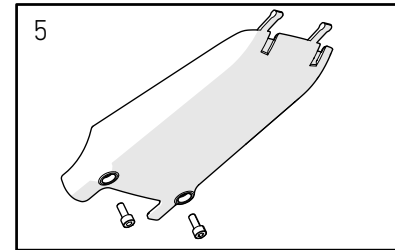
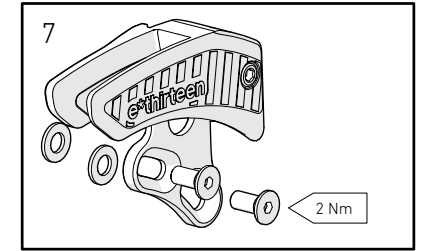
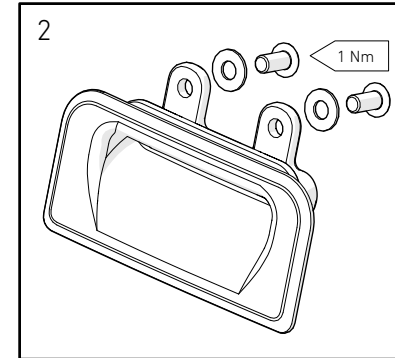
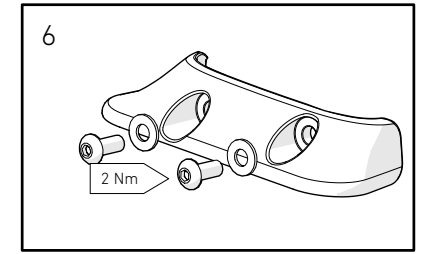
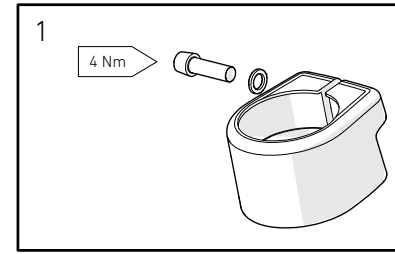
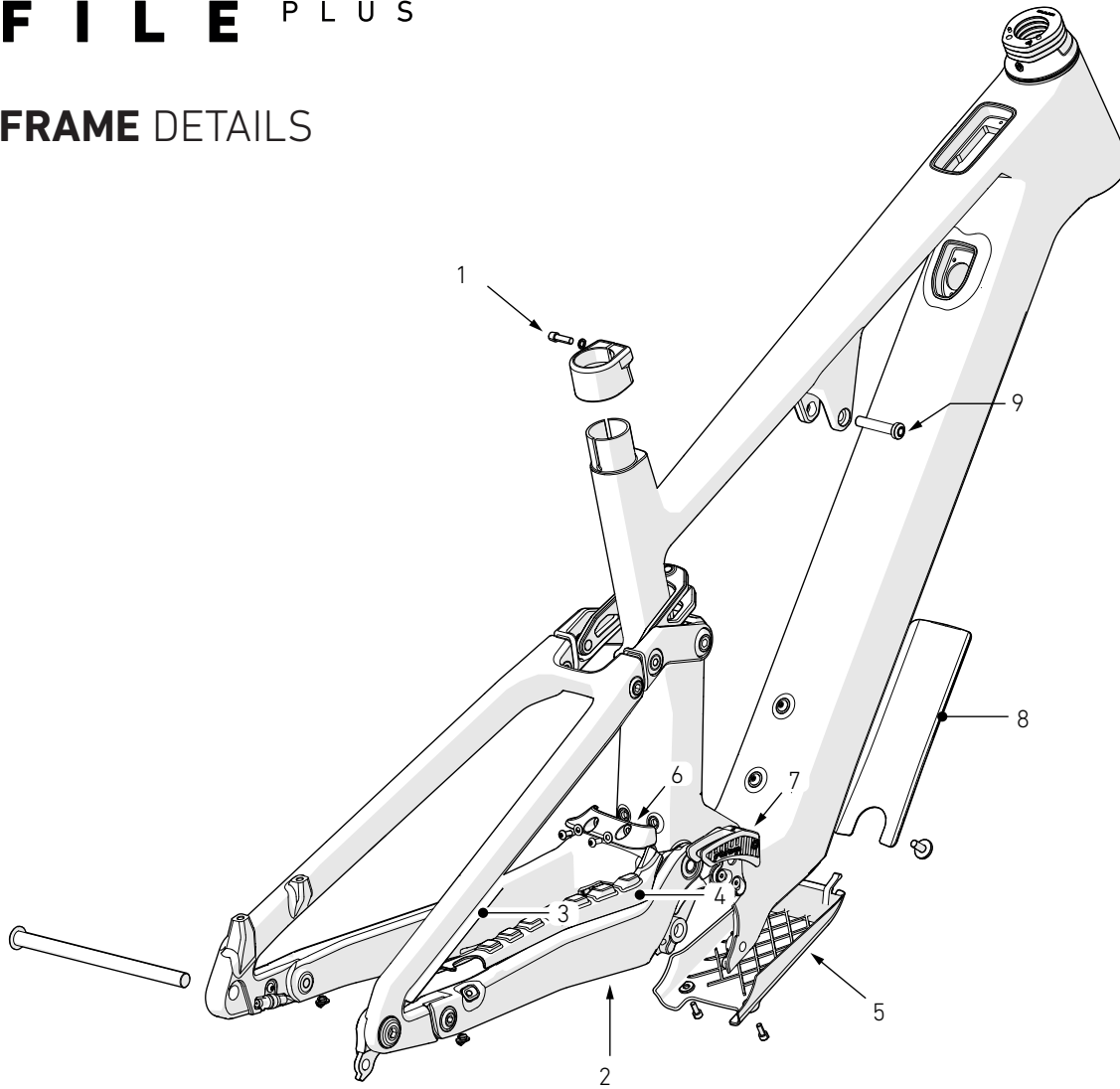
ROSE Bikes GmbH
Schersweide 4
46395 Bocholt, Germany

F I L E PLUS

FRAME DETAILS

FILE PLUS

FRAME DETAILS

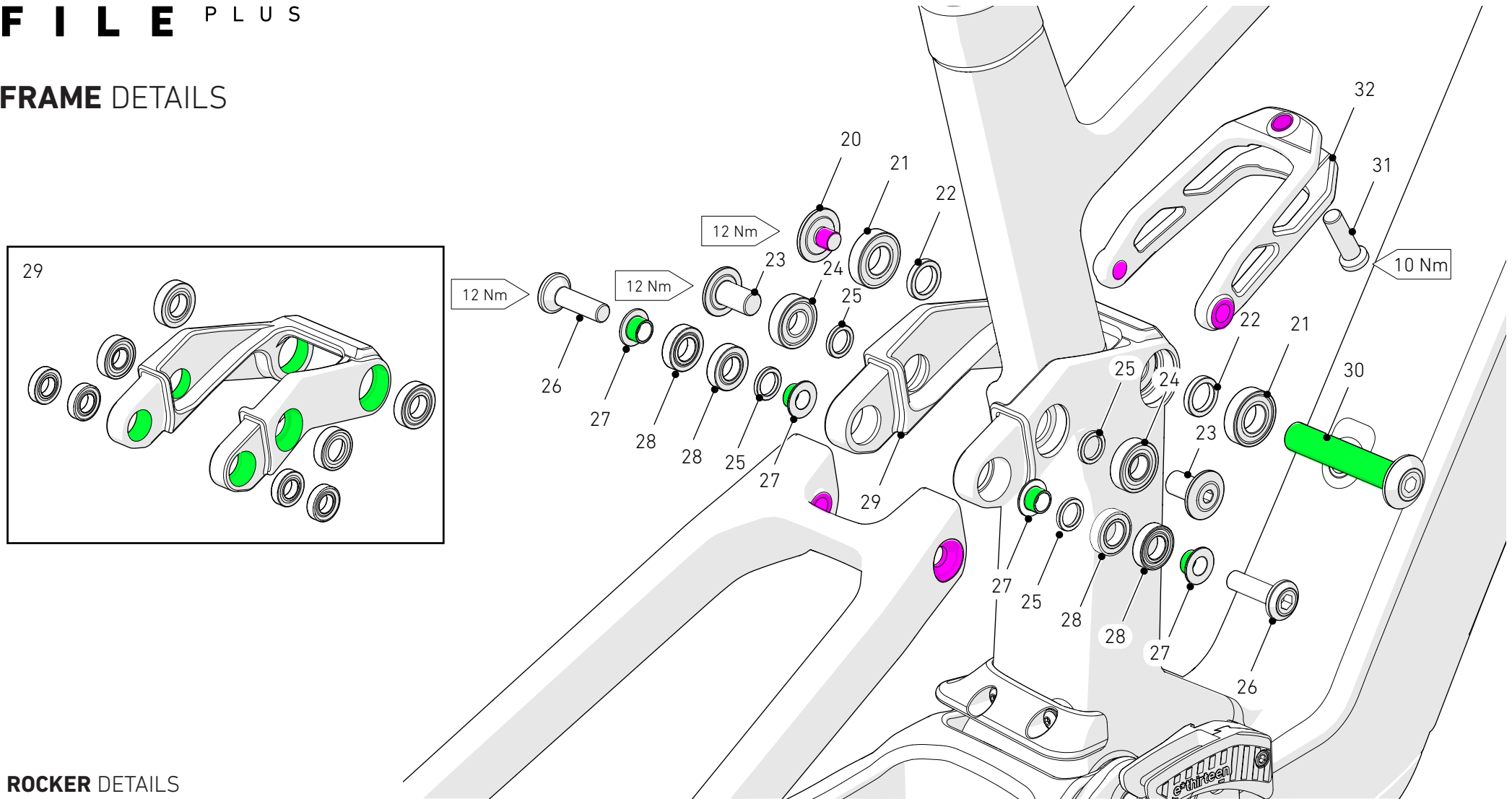


MAIN FRAME DETAILS

POS.	DESCRIPTION	SPECIFICATIONS	ART. NR.
1	seat clamp set		235335601
2	BB outlet set	including 2x screw M3x6, 2x washer M3	1598080001
3	seatstay protector		230224501
4	chainstay protector		235465401
5	motor cover set	including 2x screw M4x10	235337101

POS.	DESCRIPTION	SPECIFICATIONS	ART. NR.
6	seat tube fender set	including 2x screw M4x10, 2x washer M4	1598050001
7	chain device set	including baseplate, 2x screw, 2x washer	1598060001
	chain device slider		232876101
8	down tube protector		235335801
9	shock bolt set		1598070001

FRAME DETAILS



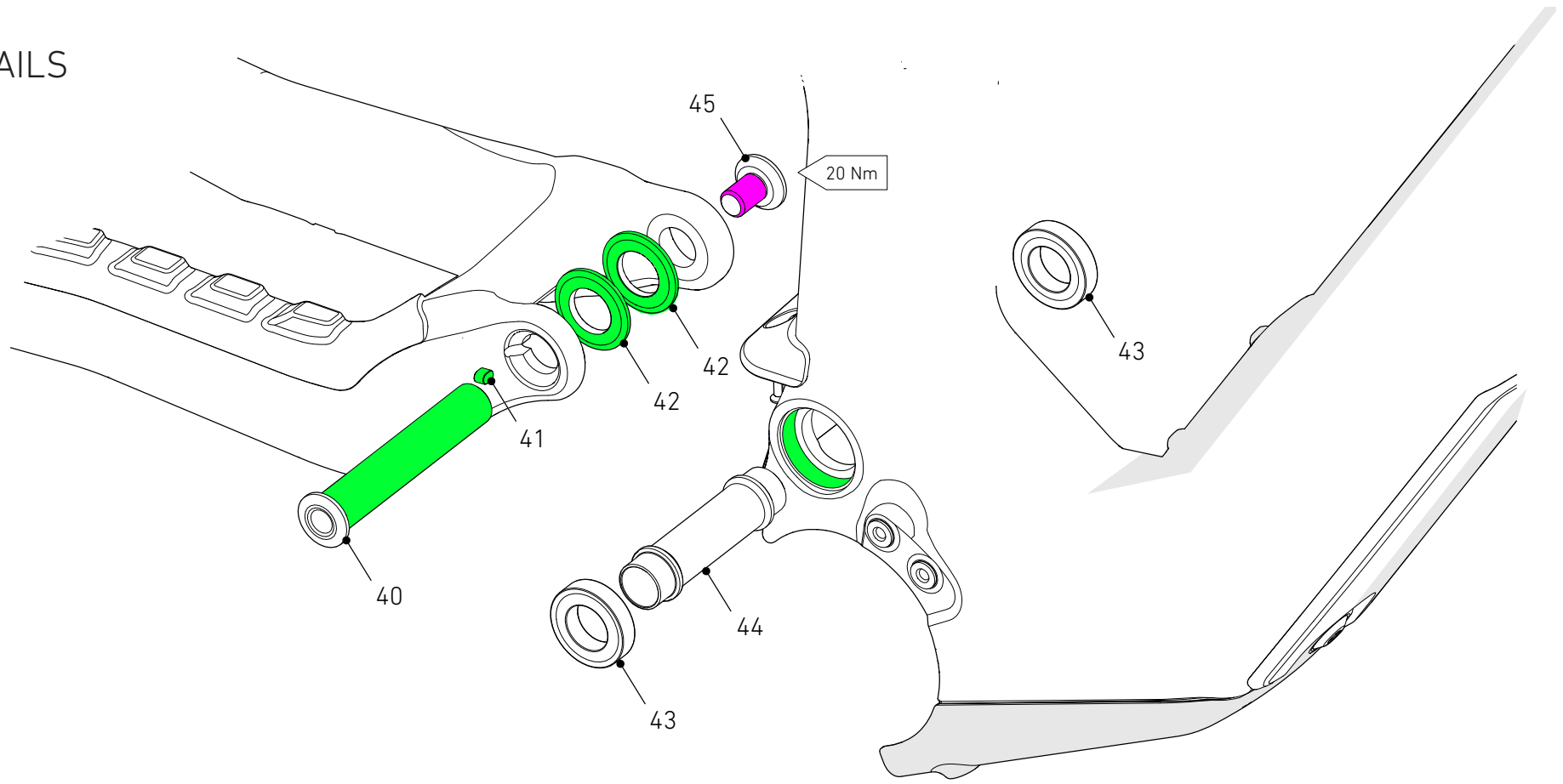
ROCKER DETAILS

POS.	DESCRIPTION	SPECIFICATIONS	ART. NR.
20	screw rocker mount		1600530001
21	bearing	61901, 24x12x6	230182501
22	washer rocker mount	12x17x3	1600540001
23	screw rocker extension		1600550001
24	bearing	61900, 22x10x6	233657901
25	bearing spacer	14x10x2 mm	1600560001
26	screw rocker		1600580001
27	L-washer	8x10x6,75	1600570001

28	bearing	61800, 19x10x5	229858301
29	rocker set	service kit, including 2x pos. 21, 2x pos. 24, 4x pos. 28	1598040001
30	bolt rocker mount		1600520001
31	screw shock yoke		1600610001
32	shock extension		1600620001
	GREASE	Motorex Bike Grease 2000 100 g	49208600
	THREADLOCKER	mid strength, for example Art. Nr. 1322431	

Where possible, apply threadlocker to the internal thread of the screw connection!

FRAME DETAILS

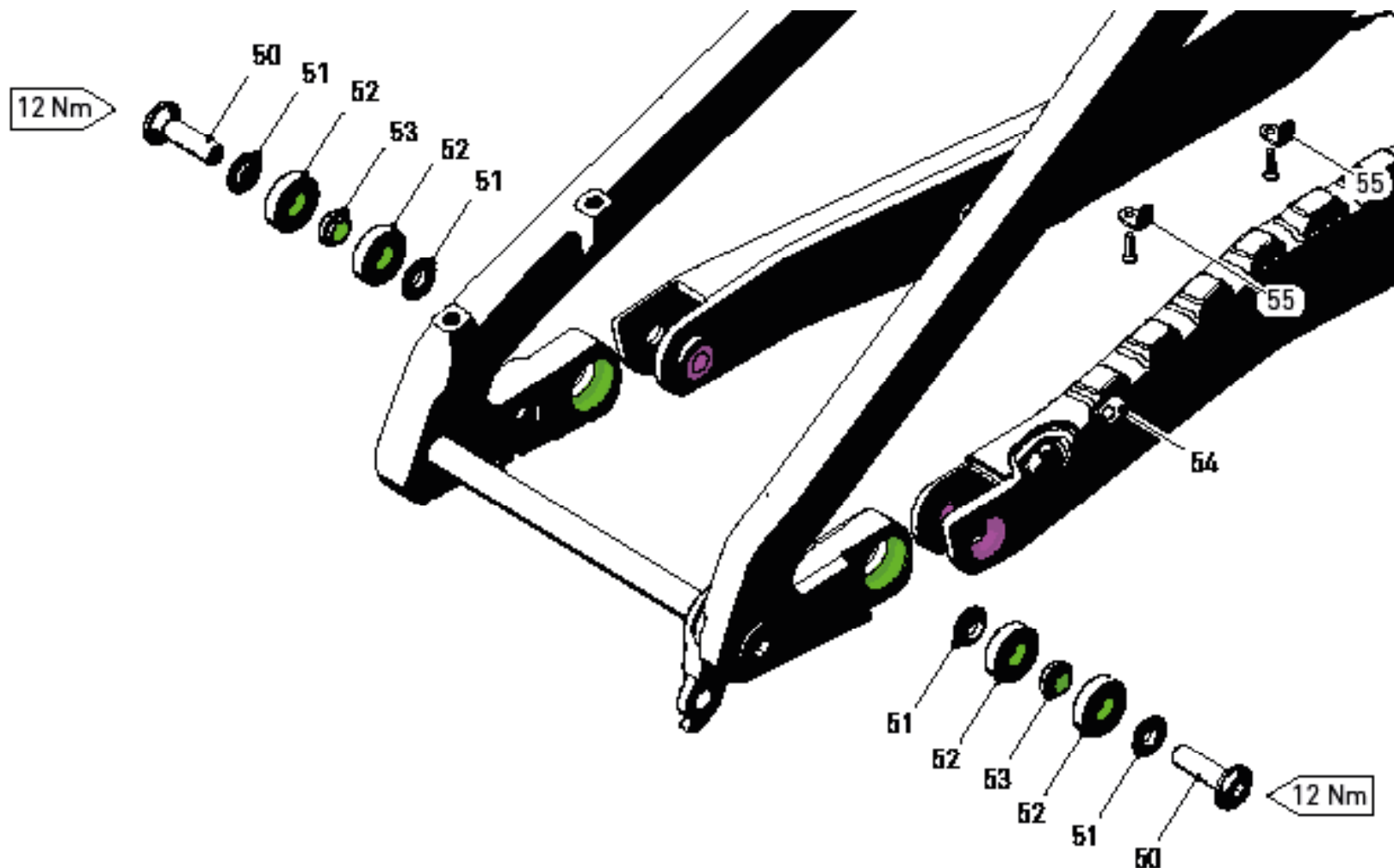


MAIN PIVOT DETAILS

POS.	DESCRIPTION	SPECIFICATIONS	ART. NR.
40	main pivot bolt		1600630001
41	featherkey	ISO773 4x4x6	1600680001
42	main pivot washer		1600660001
43	bearing	61903, 30x17x7	1600670001
44	main pivot sleeve		1600650001
45	main pivot screw		1600640001
	GREASE	Motorex Bike Grease 2000 100 g	49208600

 THREADLOCKER mid strength, for example Art. Nr. 1322431
 Where possible, apply threadlocker to the internal thread of the screw connection!

FRAME DETAILS



HORST LINK DETAILS

POS.	DESCRIPTION	SPECIFICATIONS	ART. NR.
50	screw seatstay/chainstay		1600580001
51	L-washer	10x16x3.5 mm	1600590001
52	bearing	61900, 22x10x6 mm	233657901
53	T-washer	8x10x6.5 mm	1600600001
54	cable exit plug		234329901
55	brake hose clip set		1598090001
	GREASE	Motorex Bike Grease 2000 100 g	49208600

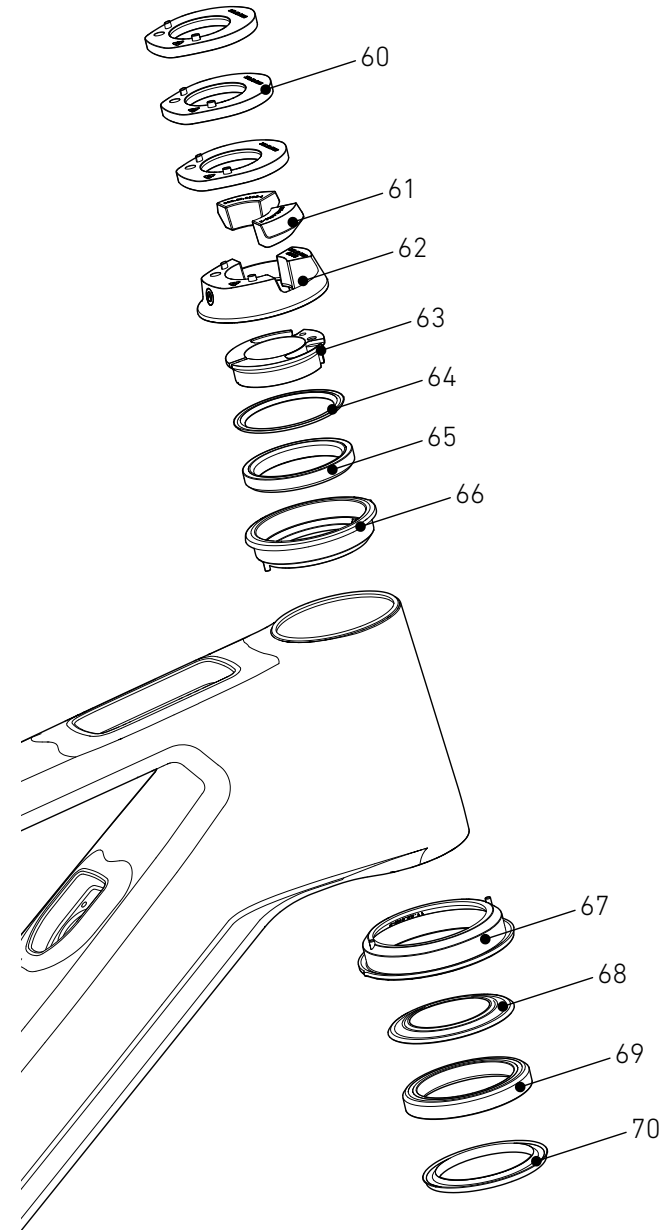
THREADLOCKER mid strength, for example Art. Nr. 1322431

Where possible, apply threadlocker to the internal thread of the screw connection!

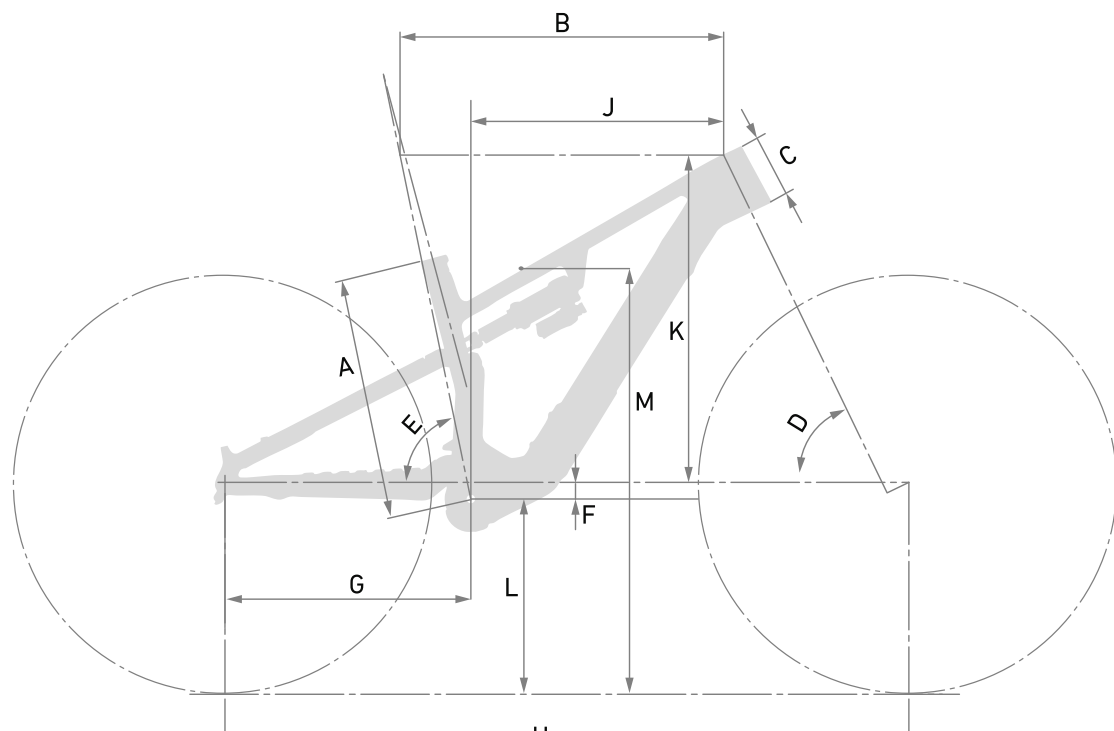
FRAME DETAILS

HEADSET DETAILS

POS.	DESCRIPTION	SPECIFICATIONS	ART. NR.
60	spacer	size S & M: 2x / size L & XL: 3x	235463501
61	plug set left+right		235463401
62	ROSE head set cover mtb		235463301
63	center ring ICR		235463601
64	IPS upper headset sealing		1599750001
65	upper bearing	42x52x7 mm, R2	1601520001
66	upper bearing cup	for frame size S & M	235352101
		for frame size L	235352701
		for frame size XL	235353301
67	lower bearing cup	for frame size S	235352201
		for frame size M, L & XL	235353001
68	IPS lower headset sealing		1601530001
69	lower bearing	46x60x7 mm	1601540001
70	crown race with seal, IPS flat	File Plus 70, XT X0 (1,8")	1601710001
		File Plus XTR (1,5")	1601550001
	GREASE	Motorex Bike Grease 2000 100 g	49208600



FRAME GEOMETRY



		SIZE S	SIZE M	SIZE L	SIZE XL
SEAT TUBE LENGTH	A	410 mm	440 mm	460 mm	480 mm
TOP TUBE LENGTH	B	561 mm	587 mm	614 mm	641 mm
HEAD TUBE LENGTH	C	110 mm	115 mm	125 mm	135 mm
HEAD ANGLE	D	64° / 65°	64° / 65°	64° / 65°	64° / 65°
SEAT ANGLE	E	78,5°	78,5°	78,5°	78,5°
BB DROP	F	30 mm	30 mm	30 mm	30 mm
CHAIN STAY LENGTH	G	445 mm	445 mm	445 mm	445 mm
WHEEL BASE	H	1203 mm	1237 mm	1267 mm	1296 mm
REACH	K	435 mm	460 mm	485 mm	510 mm
STACK	L	621 mm	625 mm	634 mm	643 mm
BB HEIGHT	M	346,5 mm	346,5 mm	346,5 mm	346,5 mm
STANDOVER HEIGHT	N	763 mm	763 mm	763 mm	763 mm
TRAVEL FRONT		150/140 mm	150/140 mm	150/140 mm	150/140 mm

FRAME INTERFACES

HEADSET	mod56/66
REAR WHEEL AXLE	179 x M12, thread length: 13 mm Newmen rear axle for UDH use, Art. Nr. 234900302 SRAM Maxle stealth rear for UDH use, Art. Nr. 230185901
DERAILLEUR HANGER	SRAM UDH, Art. Nr. 230116501
SHOCK LENGTH X STROKE	210 x 55mm
SHOCK HARDWARE	8 x 25 mm front, 8 x 15 mm rear
REAR BRAKE MOUNT	PM180
MAX. Ø REAR BRAKE DISC	203 mm
Ø SEAT TUBE	31.6 mm
Ø SEAT POST CLAMP	36 mm
MAX. TIRE WIDTH	2.5"
WHEEL SIZE	29 front and rear
MAX. CHAINRING SIZE	34 T
REAR HUB SPACING	12 x 148 mm

MAX SYSTEM WEIGHT (RIDER + BICYCLE + CLOTHING + GEAR + LUGGAGE): 130 KG

BICYCLE WEIGHT: 19.5 - 20.5 KG (+/-5%) DEPENDING ON FRAME SIZE AND MODEL

INTENDED USE: DIN 17406 CATEGORY 4