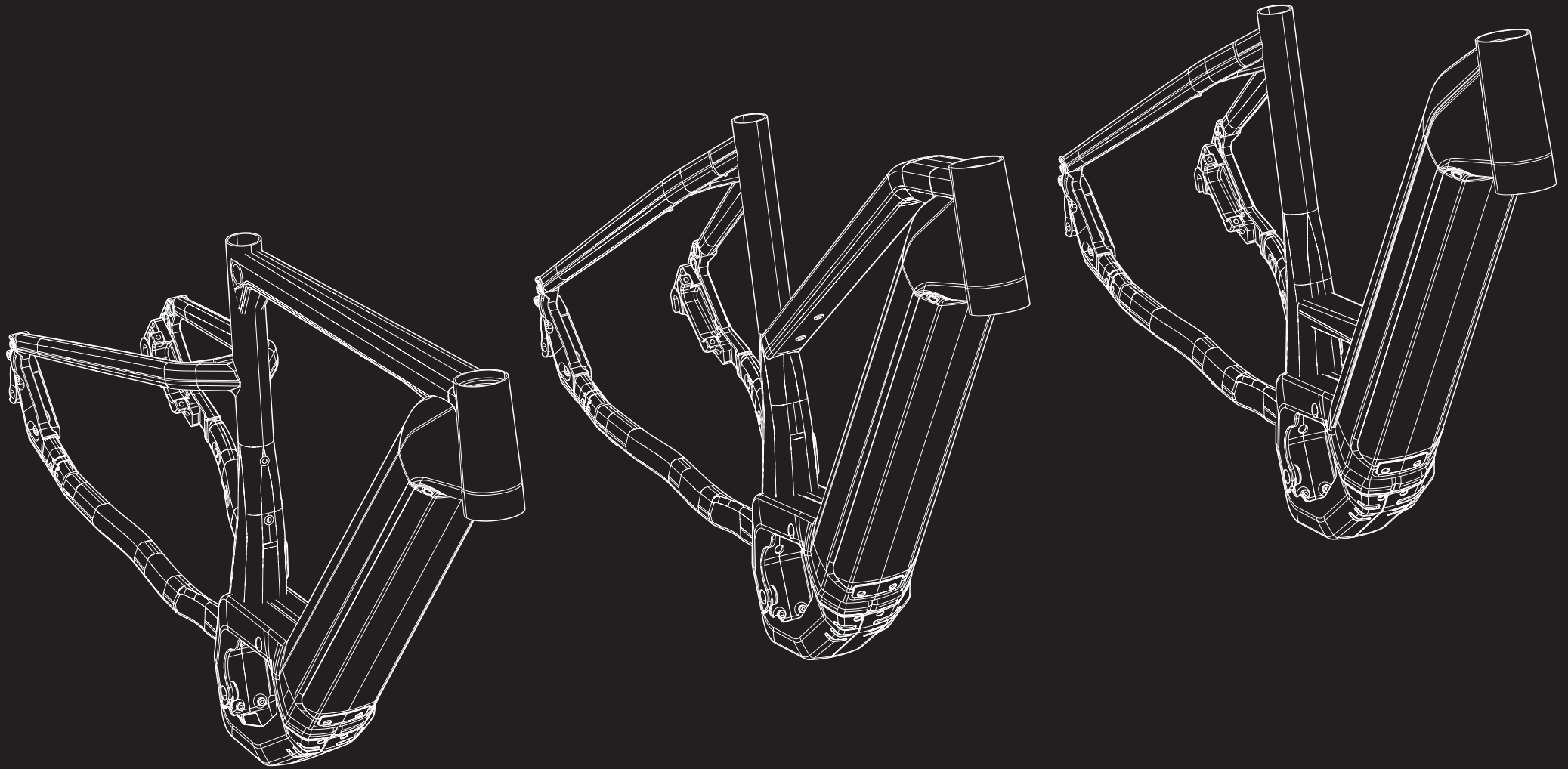


ROSE



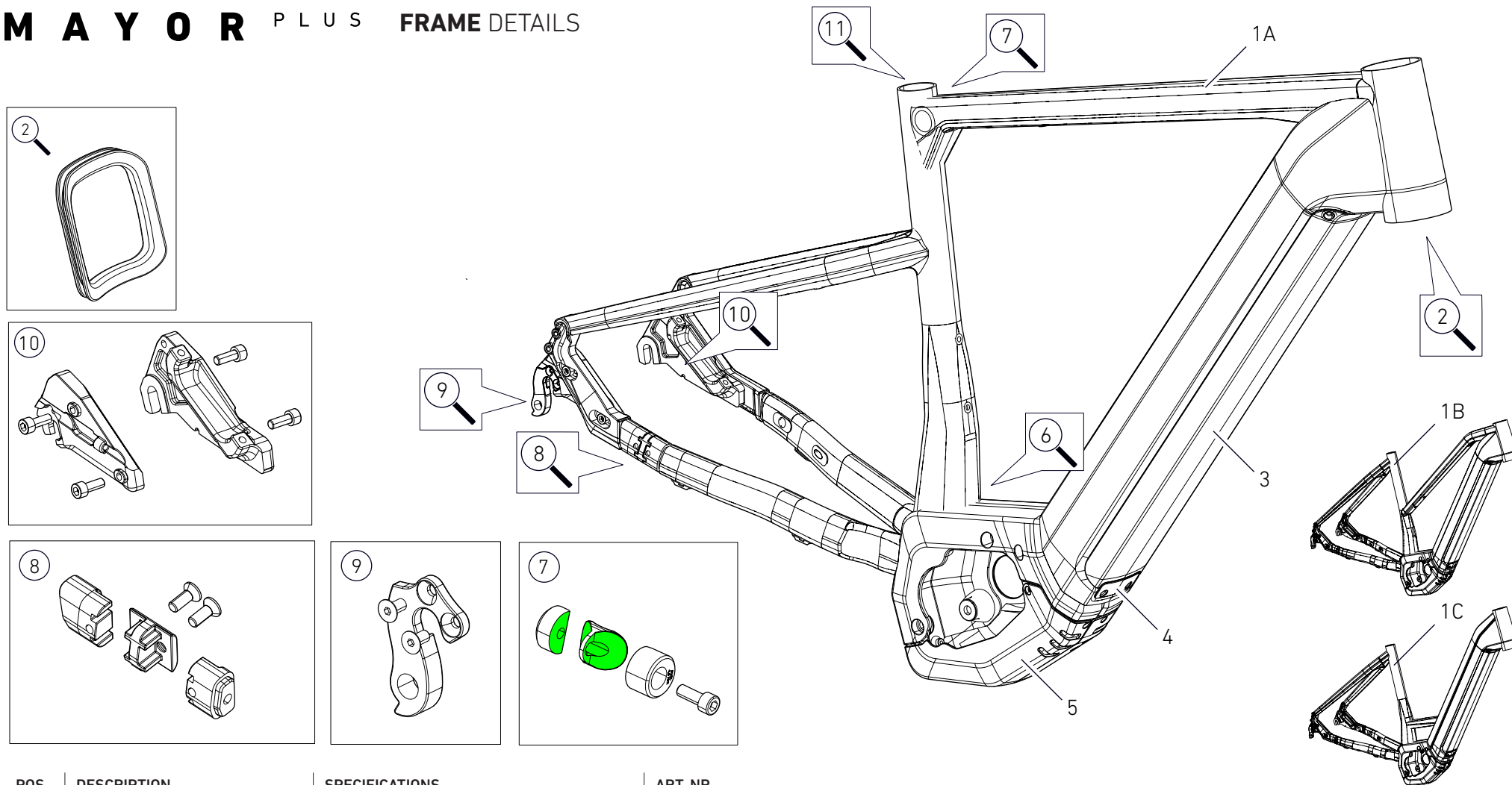
ANY QUESTIONS?
rosebikes.de/support

ROSE Bikes GmbH
Schersweide 4
46395 Bocholt, Germany

M A Y O R P L U S

FRAME DETAILS

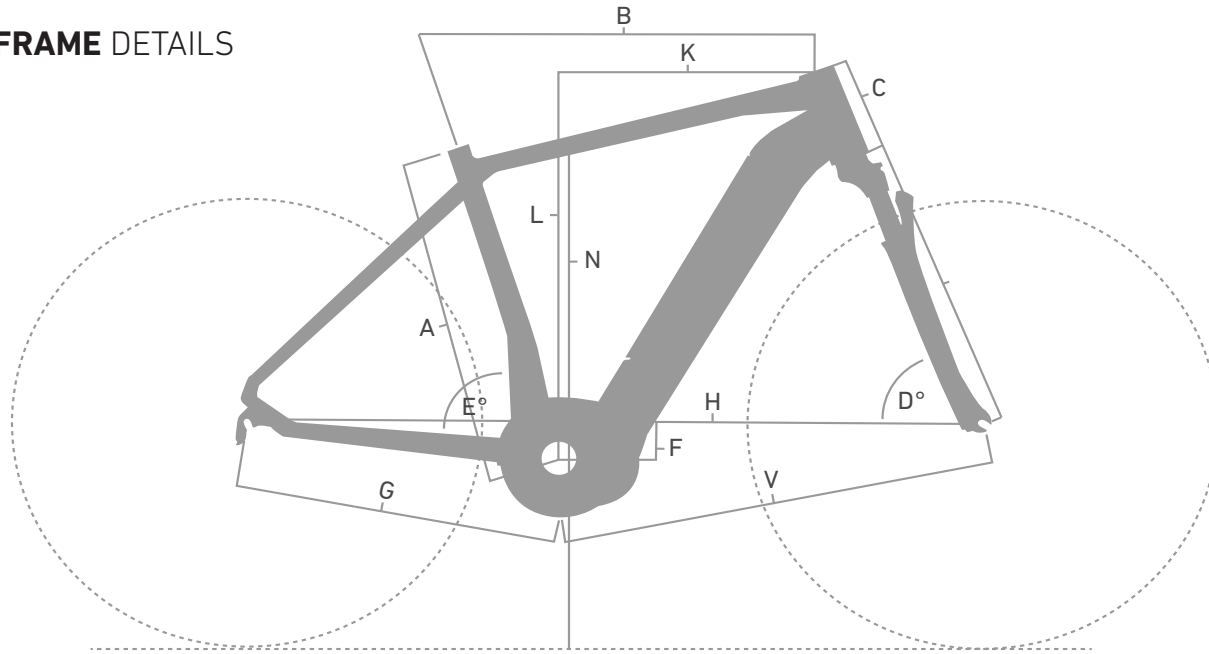
MAYOR PLUS FRAME DETAILS



POS.	DESCRIPTION	SPECIFICATIONS	ART. NR.
1A	frame	gray	2312111
		green	2312112
1B	frame MidStep	gray	2312119
		green	2312120
1C	frame LowStep	gray	2312123
		green	2312124
2	H/T rubber cable routing		2313568
3	battery cover	cover + 2x M4 x 10 mm	2313570
4	cover plate	plate + 2x M4x10mm	
5	motor cover	cover + 8x M4 x 10 mm	2313575
6	charging plug		

POS.	DESCRIPTION	SPECIFICATIONS	ART. NR.
7	seat post clamp	Ø31.6 mm Clamp (3Pcs.) + M6 x 22 mm	2313577
8	belt drive insert	insert + 2x M6 x 16 mm	231357901
9	derailleur hanger	QR + 2x M4 x 8 mm	2314590
		QR cutted + 2x M4 x 8 mm	2313582
		Boost 12mm + M4 x 8 mm	225194101
10	slider (includes pos. 8)	QR 135 + 4x M6 x 16 mm	2313581
		Boost 12mm + 4x M6 x 16 mm	2314589
11	rubber ring	dirt seal seat tube	2256912
	GREASE	Motorex Bike Grease 2000 100 g	49208600

FRAME DETAILS



FRAME INTERFACES

BOTTOM BRACKET	Bosch Gen4
FRONT WHEEL AXLE	15mm true axle 100mm
REAR WHEEL AXLE	135 QR / Boost
FRONT BRAKE MOUNT	
REAR BRAKE MOUNT	PM 160mm
MAX Ø DISC	180mm
Ø SEATPOST	31.6 mm
RECOMMENDED TIRE SIZE	27.5" x 2.3" / 28" x 50 mm
CHAINRING SIZE	Chain: 38T / Belt: 50T
FRONT DERAILLEUR MOUNT	no

BOTTLE CAGE HighStep, MidStep: 2x / LowStep: 1x

MAX SYSTEM WEIGHT (RIDER + BICYCLE + CLOTHING + GEAR + LUGGAGE): 150 KG

BICYCLE WEIGHT:

MAYOR PLUS 1: 27,5 KG (±5%)

MAYOR PLUS 2: 27,4 KG (±5%)

MAYOR PLUS 3: 29,1 KG (±5%)

MAYOR PLUS 4: 28,5 KG (±5%)

MAYOR PLUS SUV 1: 27 KG (±5%)

MAYOR PLUS SUV 2: 26,8 KG (±5%)

INTENDED USE: DIN 17406 CATEGORY 2

FRAME GEOMETRY

		S	M	L	MIDSTEP S	MIDSTEP M	MIDSTEP L	LOWSTEP S	LOWSTEP M	LOWSTEP L
SEATTUBE LENGTH [MM]	A	472,6	536,1	599,6	396,8	473	549,2	396,8	460,3	523,8
TOPTUBE LENGTH HORIZONTAL [MM]	B	600	615	630	593	605	620	600	615	630
HEAD TUBE LENGTH		142	158	170	142	152	160	155	158	163
HEAD TUBE ANGLE	D	68°	69°	70°	67,75°	68,5°	69,5°	68,5°	69,5°	70°
SEAT TUBE ANGLE	E	73,5°	73,25°	73°	73,75°	73,25°	73°	73,5°	73,25°	73°
BB DROP [MM]	F	65	65	65	65	65	65	65	65	65
REAR CENTER [MM] (CHAINSTAY LENGTH) [MM]	G	459	459	459	459	459	459	459	459	459
WHEELBASE [MM]	H	1147	1148	1148	1146	1144	1144	1142	1142	1148
FRONT CENTER [MM]	V	696	697	697	695	692,5	692,5	691	691	696,5
STACK		633	683	699	662	675	687	677,5	685,5	692,5
REACH		403,5	409,5	416,2	400	402	410	399	408,5	418