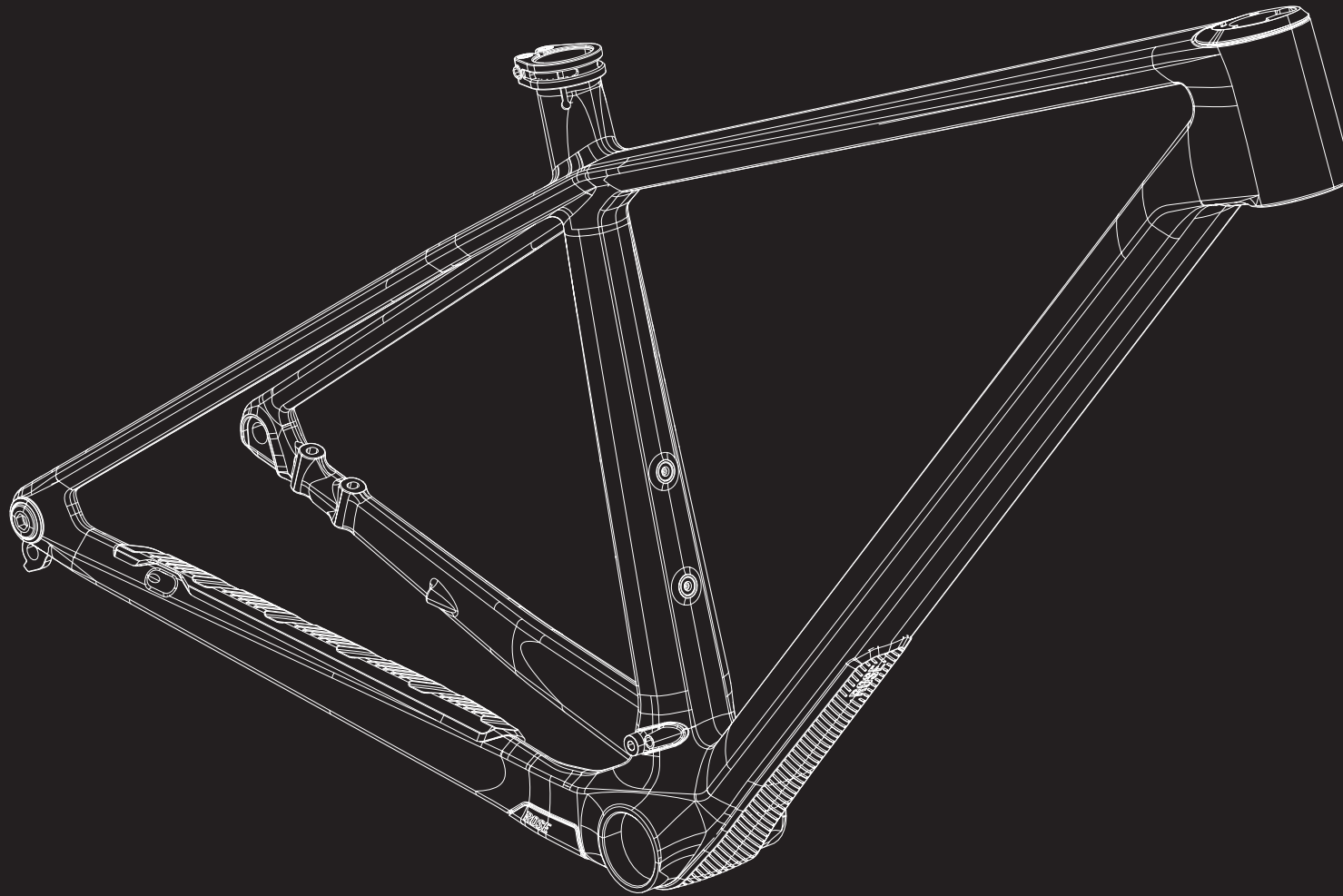


ROSE



ANY QUESTIONS?

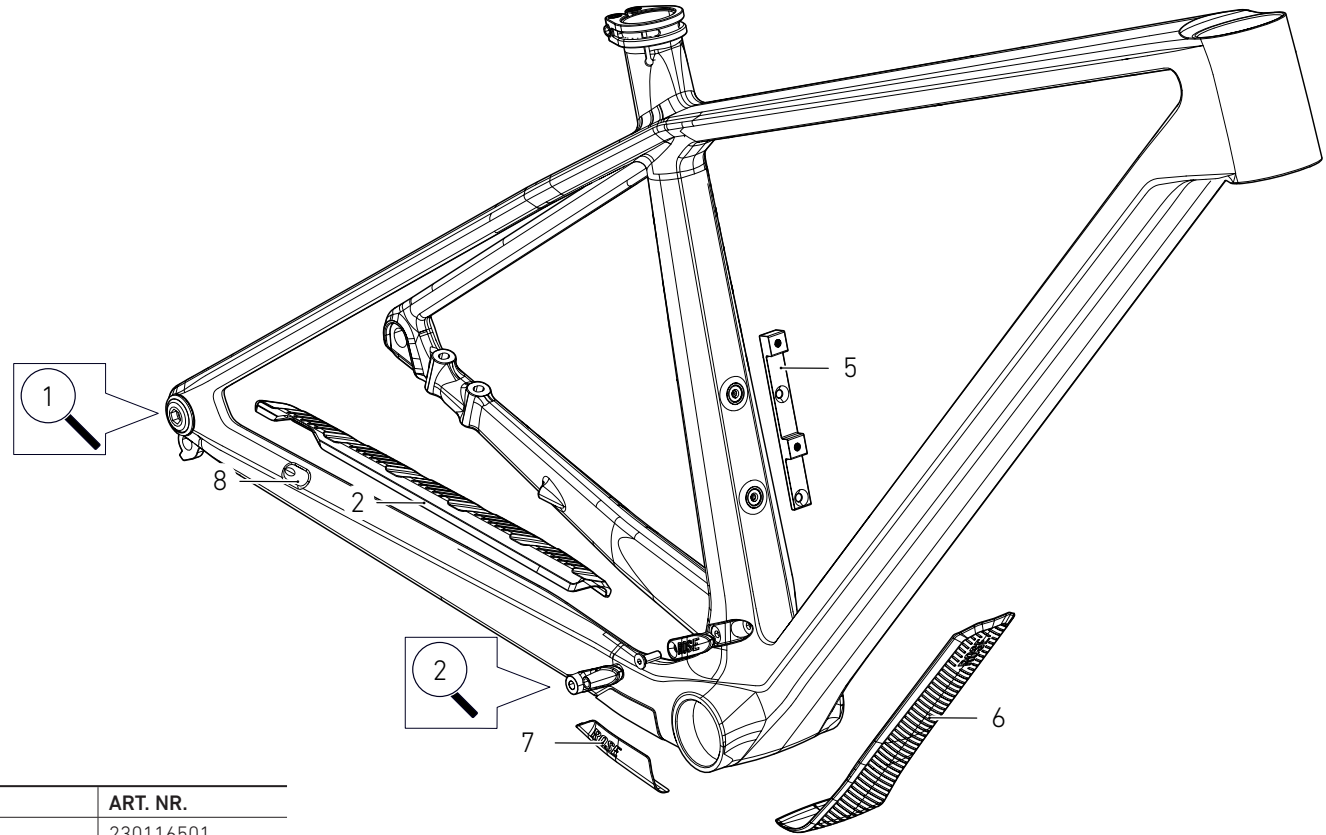
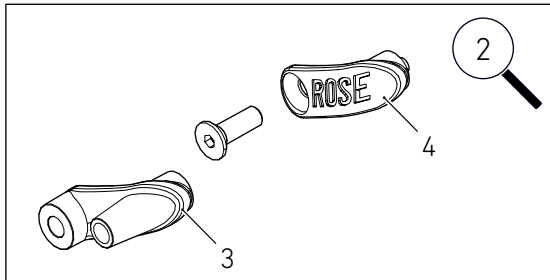
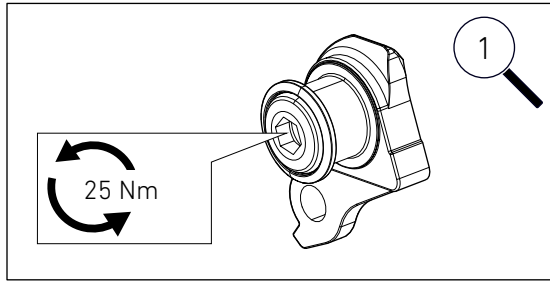
rosebikes.de/support

ROSE Bikes GmbH
Schersweide 4
46395 Bocholt, Germany



FRAME DETAILS

FRAME DETAILS



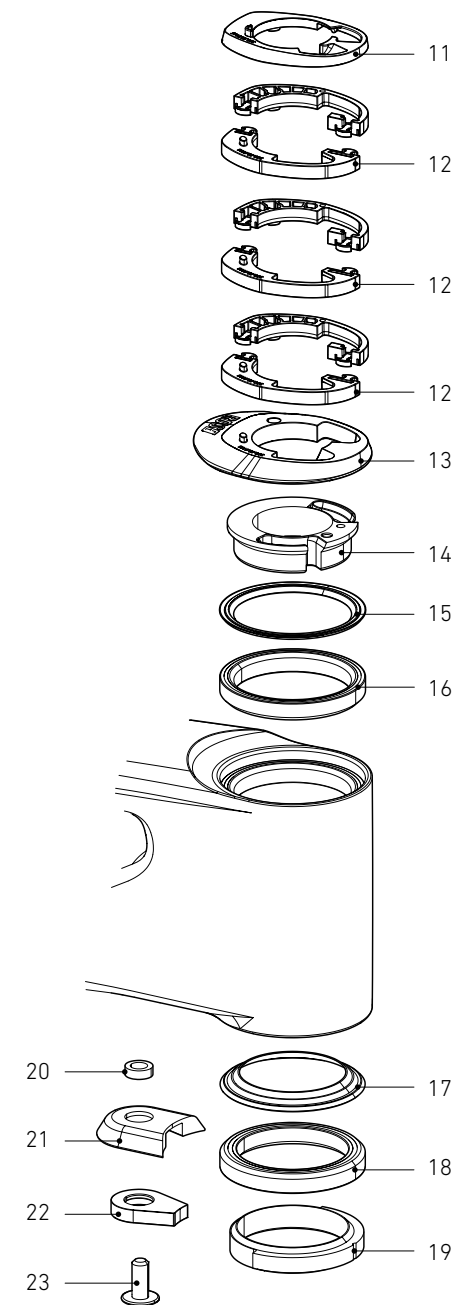
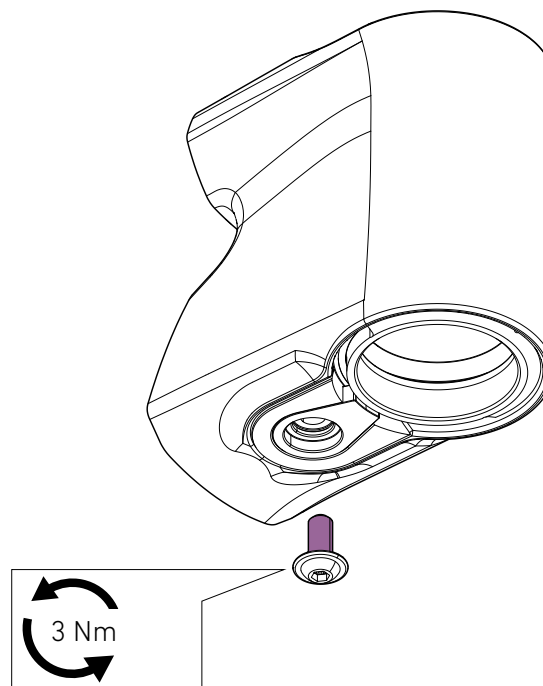
FRAME SPARE PARTS

POS.	DESCRIPTION	SPECIFICATIONS	ART. NR.
1	derailleur hanger	SRAM UDH	230116501
2	chainstay protector top		232535901
3	chain guide mount*	without screws	232536501
4	blind cover	without screw	232536401
	screw blind cover	M5x15 mm	232536301
5	bottle cage adaptor	must be assembled for size S frames!	233018601
6	downtube protector		232535701
7	chainstay protector bottom		232535901
8	cable exit plug		234329901

* the screw length depends on the chain guide model. For example, a 77designz Freesolo V2-S3/ET chainguide needs a M5x25 mm and a M5x35 mm screw.



FRAME DETAILS



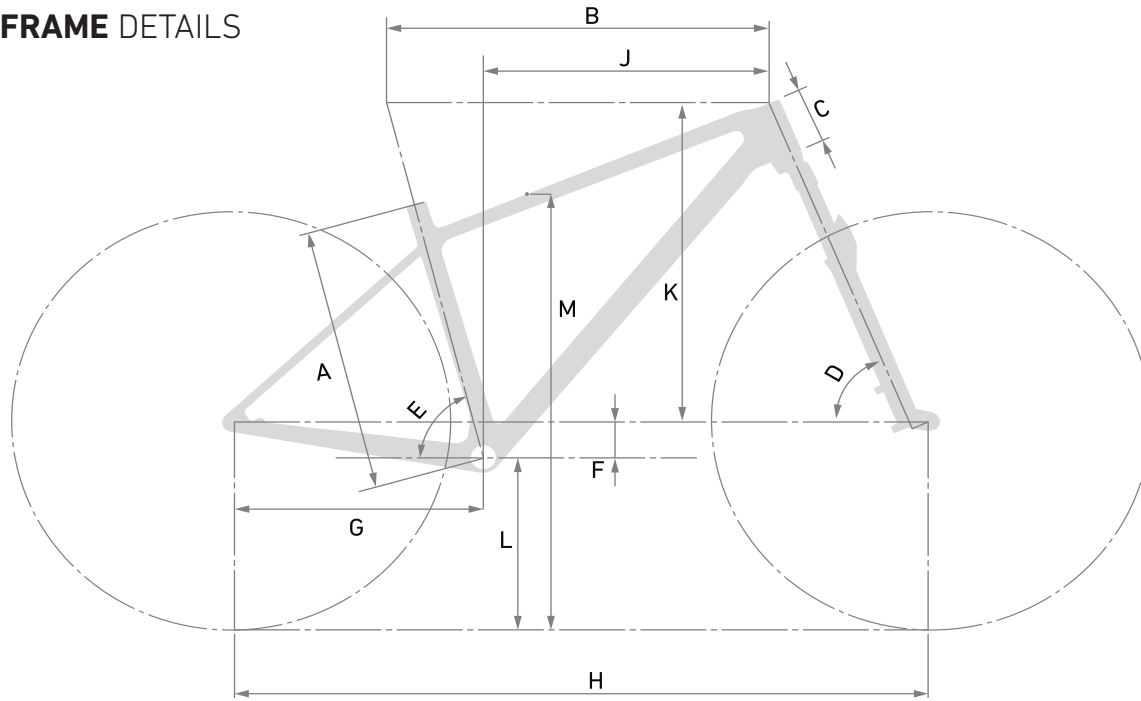
HEADSET SPARE PARTS

POS.	DESCRIPTION	SPECIFICATIONS	ART. NR.
headset			232283401
11	top cover		
12	spacer	5mm	
13	headtube cover		
14	cable routing compression ring		
15	upper headset sealing	Ø52 mm	
16	bearing	42x52x7	
17	lower headset sealing	Ø52 mm	
18	bearing	40x52x7, R2	
19	base plate	1.5", Block-Lock 135°	
20	HIP* spacer		234542701
21	HIP* elastomer		234542901
22	HIP* stop plate		234543101
23	HIP* screw	M6x14 mm, ISO 7380-2 3 Nm, use Loctite 243	234543301
	THREADLOCKER	mid strength	for example 1322431

*HIP = Hidden Impact Protection



FRAME DETAILS



FRAME GEOMETRY

SIZE		S	M	L	XL
SEATTUBE LENGTH [MM]	A	400	430	470	510
TOPTUBE LENGTH HORIZONTAL [MM]	B	588	617	645	672
HEAD TUBE LENGTH	C	90	90	102	115
HEAD TUBE ANGLE	D	67,5°	67,5°	67,5°	67,5°
SEAT TUBE ANGLE	E	76°	75°	75°	75°
BB DROP [MM]	F	66	63	63	63
REAR CENTER [MM] (CHAINSTAY LENGTH)	G	430	430	430	430
WHEELBASE [MM]	H	1130	1160	1189	1218
REACH [MM]	J	420	450	475	500
STACK [MM]	K	628	625	634	643
BB HEIGHT	L	310	313	313	313
STANDOVER HEIGHT [MM]	M	771	767	794	821

FRAME INTERFACES

BOTTOM BRACKET	PF92
HEADSET	IS52 / IS52
REAR WHEEL AXLE	length: 180 mm, M12 x 1.0, thread length 13 mm / SRAM Maxle stealth rear for UDH use, Art.Nr. 230185901
DERAILLEUR HANGER	SRAM UDH, Art.Nr. 230116501
REAR BRAKE MOUNT	Flat Mount 160mm
MAX Ø DISC BRAKE	180 mm
REAR HUB SPACING	12x148 mm
Ø SEATPOST	30.9mm, internal dropper compatible
Ø SEATPOST CLAMP	34.9 mm, e.g. ROSE seat post clamp Art.Nr. 226113802
MAX. TIRE WIDTH	2.4"
WHEEL SIZE	29", all sizes
MAX. CHAINRING SIZE	36T
CHAIN GUIDE MOUNT	S3/E-type
BOTTLE CAGE	yes, 2x for size S frames the bottle cage holder 233018601 is required

MAX SYSTEM WEIGHT (RIDER + BICYCLE + CLOTHING + GEAR + LUGGAGE): 110 KG

INTENDED USE: DIN 17406 CATEGORY 3