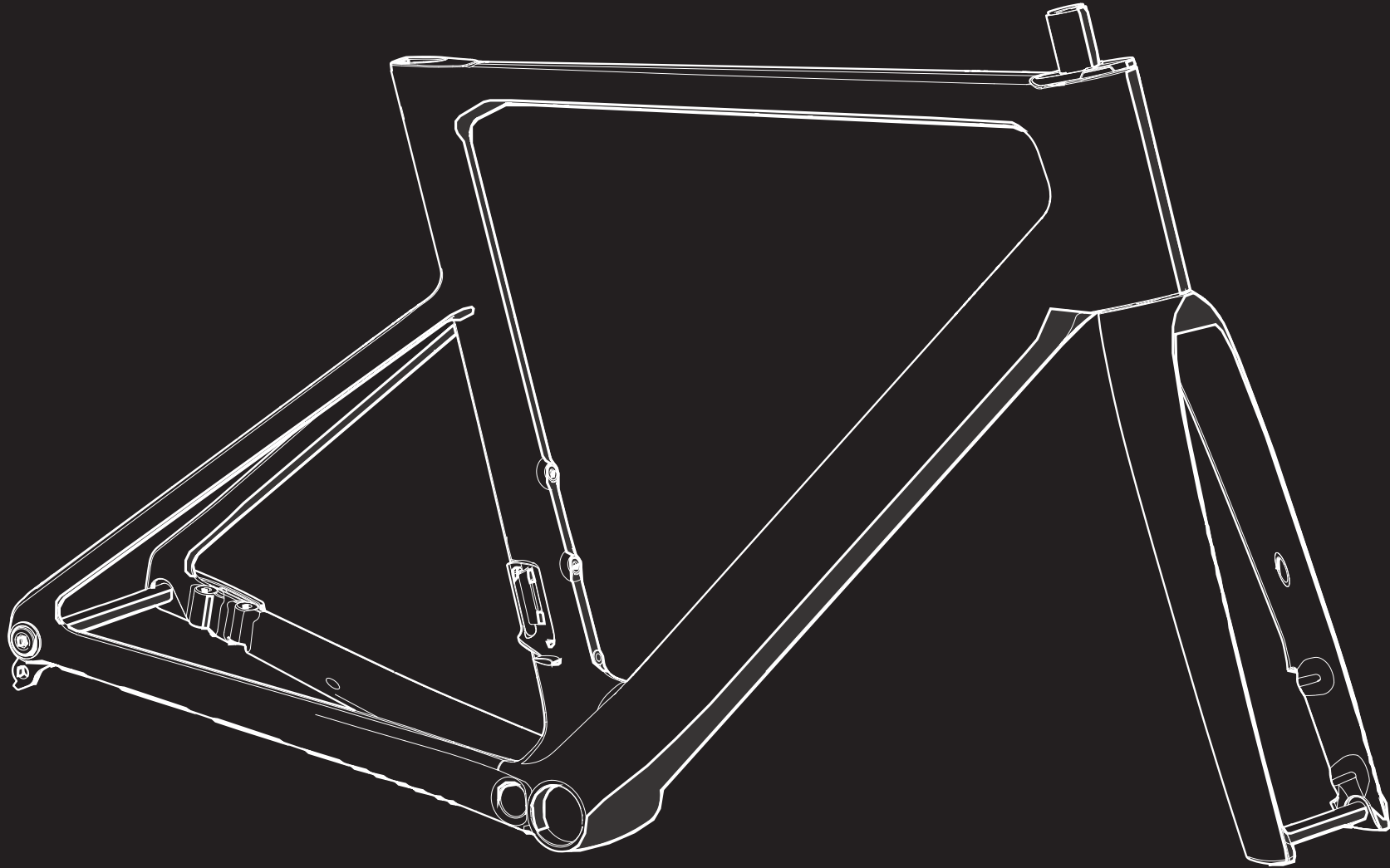


ROSE



ANY QUESTIONS?
rosebikes.de/support

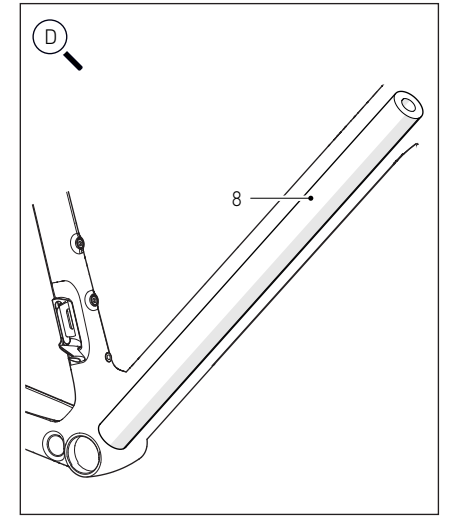
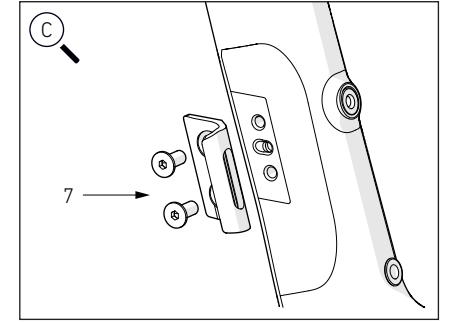
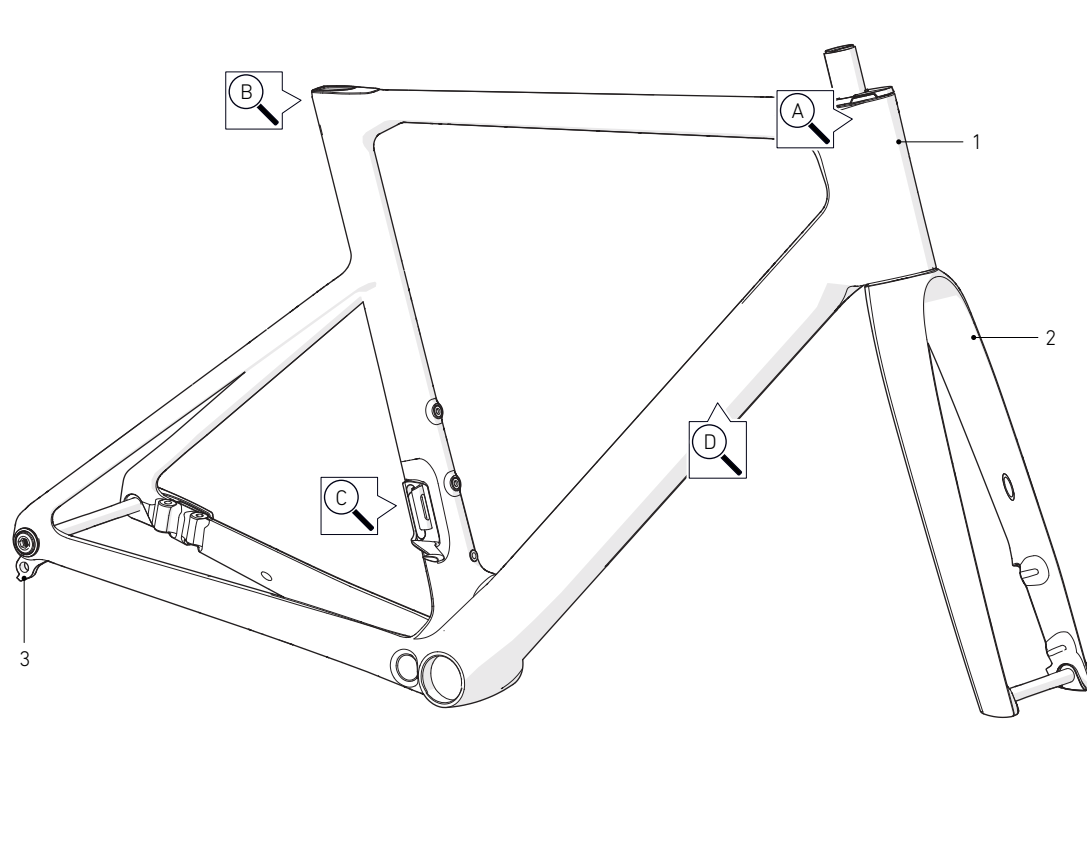
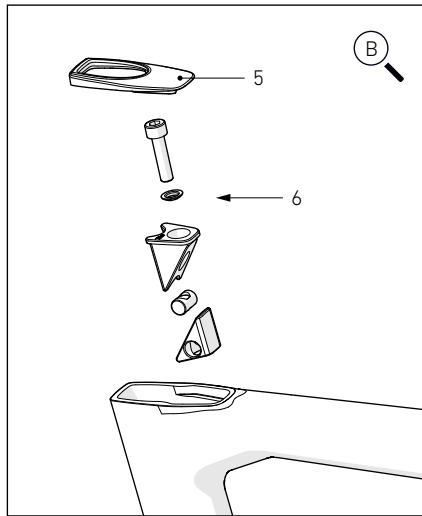
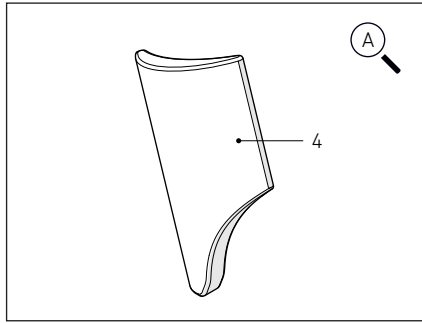
ROSE Bikes GmbH
Schersweide 4
46395 Bocholt, Germany

S H A V E

FRAME DETAILS

SHAVE

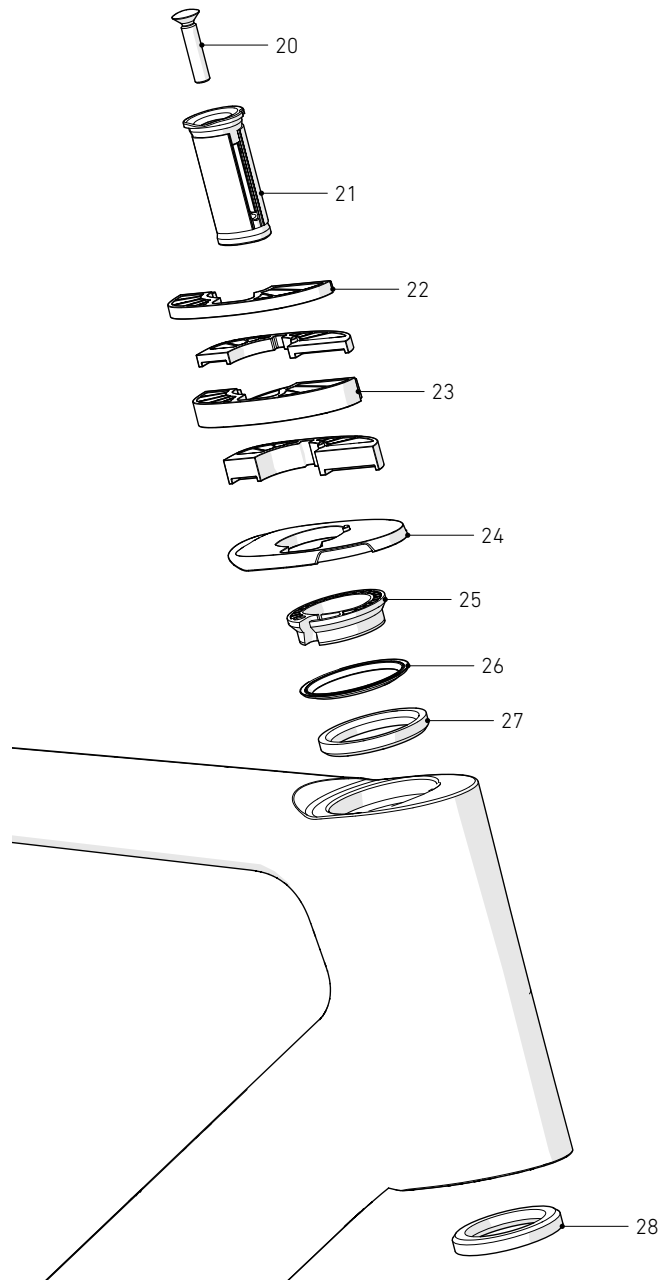
FRAME DETAILS



POS.	DESCRIPTION	SPECIFICATIONS	ART. NR.
1	frame SHAVE	only available via ROSE technical support	
2	fork SHAVE		
3	derailleur hanger	UDH	230116501
4	steerer shim	4.3 mm - silver	1640010101
		4.15 mm - black	
5	clamp cover	rubber/TPU	235326101
6	seatpost clamp block		235326301
7	FD hanger		235325701
	FD hanger screw	M5x12 mm	235325901
8	PU foam DT cable routing	700 mm - white	1628250001

SHAVE

FRAME DETAILS

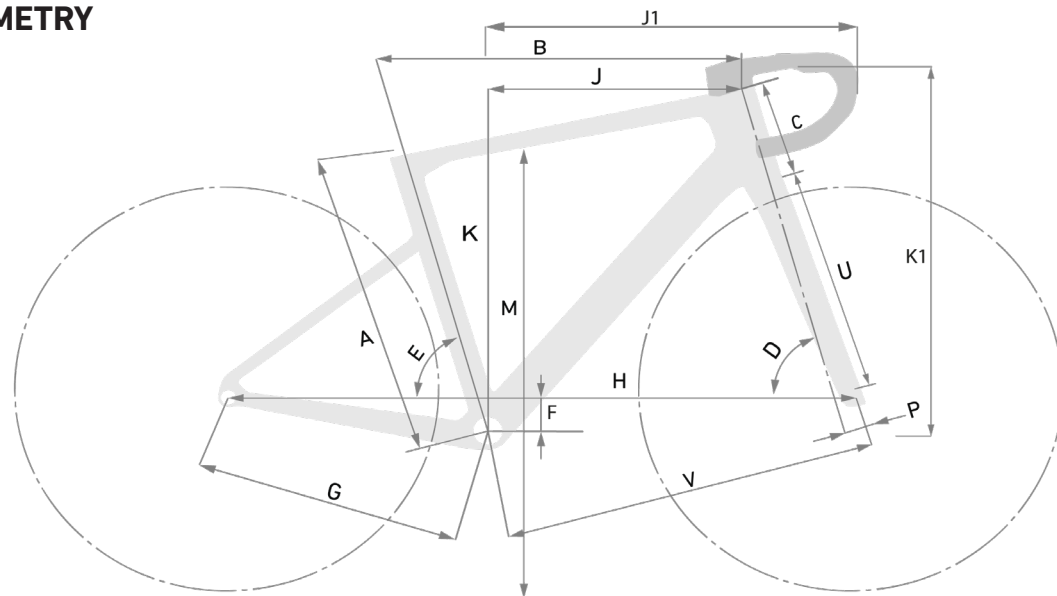


HEADSET DETAILS

POS.	DESCRIPTION	SPECIFICATIONS	ART. NR.
20	countersunk head screw	M6x40	235348901
21	expander		
22	spacer	5 mm	
23	spacer	10 mm	
24	headtube cover		
25	compression ring		
26	upper sealing		
27	upper bearing	35x44x6 mm 45°/36°	
28	lower bearing	33x44x6 mm 45°/36°	

SHAVE

GEOMETRY



FRAME INTERFACES

BOTTOM BRACKET	Pressfit BB86 Shimano: SM-BB72-41B Pressfit Sram: DUB PF Road 86,5
FRONT WHEEL AXLE	12 x 100 mm: ROSE Art. Nr.: 227585701
REAR WHEEL AXLE	12 x 142 mm, ROSE Art. Nr.: 227469001
FRONT BRAKE MOUNT	Flatmount 140 mm
REAR BRAKE MOUNT	Flatmount 140 mm
Ø BRAKE DISC	140 mm, with use of an adapter max. 160 mm. When using a 160 mm disc, check the installation space of the brake caliper
Ø SEATPOST	D-shape Shave specific
MAX. TIRE SIZE	Shave FF / Shave FFX: 700 x 35c Shave: 700 x 36c
MAX. CHAINRING SIZE	Shiman 54/40T / SRAM 2by 56/43T / SRAM 1by 62T
BOTTLE CAGE	yes, 2x

MAX SYSTEM WEIGHT (RIDER + BICYCLE + CLOTHING + GEAR + LUGGAGE):
SHAVE 120 KG, SHAVE FF / SHAVE FFX 110 KG
INTENDED USE: DIN EN 17406 CATEGORY 6

FRAME GEOMETRY

SIZE		SHAVE						SHAVE FF / SHAVE FFX					
		XS	S	M	ML	L	XL	XS	S	M	ML	L	XL
SEATTUBE LENGTH [MM]	A	435	470	492	512	537	575	435	470	492	512	537	575
TOPTUBE LENGTH HORIZONTAL [MM]	B	505	525	545	566	582	602	508	527	544	562	584	612
HEADTUBE LENGTH [MM]	C	123	138	157	175	196	223	110	120	135	155	180	205
HEAD TUBE ANGLE	D	71	72	73	73,25	73,25	73,25	71,5	73	73,25	73,25	73,5	73,75
SEAT TUBE ANGLE	E	75,00	74,50	74,00	73,5	73,50	73,50	75,50	75,00	74,50	74,0	73,75	73,50
BB DROP [MM]	F	73	73	73	73	73	73	72	72	72	72	72	72
REAR CENTER [MM] (CHAINSTAY LENGTH)	G	412	412	414	414	416	416	410	410	410	410	410	410
WHEELBASE [MM]	H	975	982	989	1002	1020	1039	969	975	985	998	1015	1038
REACH [MM]	J	360	370	378	388	398	410	375	385	392	400	412	430
STACK [MM]	K	544	562	584	602	622	648	515	532	547	567	591	616
STAND-OVER HEIGHT (100 MM BEFORE BB)	M	748	774	796	815	837	867	735	762	780	799	823	854
FORK OFFSET [MM]	P	45	45	45	45	45	45	44	44	44	44	44	44
FORK LENGTH [MM]	U	386	386	386	386	386	386	370	370	370	370	370	370
FRONT CENTER [MM]	V	574	580	586	599	615	634	570	576	585	599	616	638
STACK TO REACH RATIO		1,51	1,52	1,54	1,55	1,56	1,58	1,37	1,38	1,40	1,42	1,43	1,43