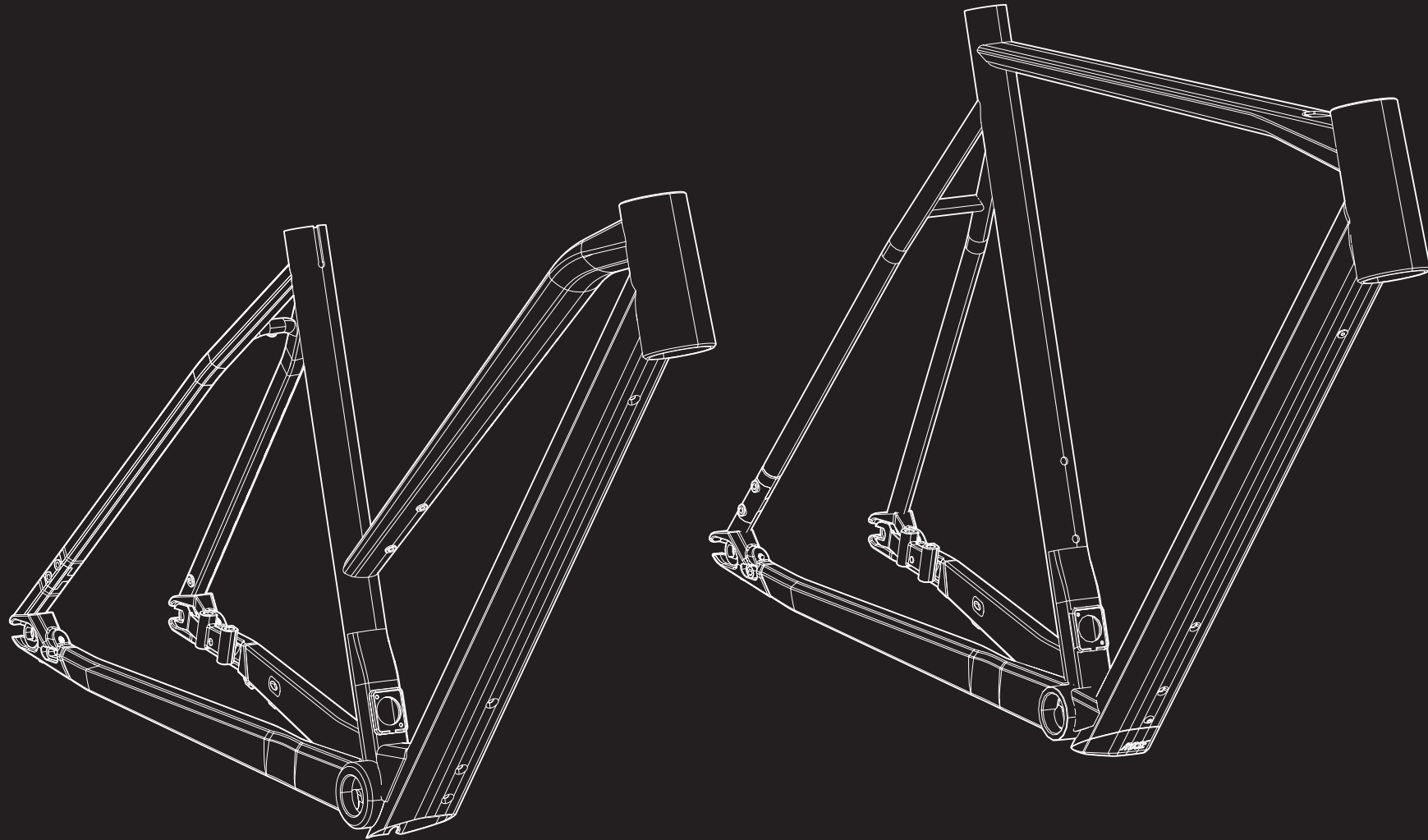


# ROSE



**ANY QUESTIONS?**

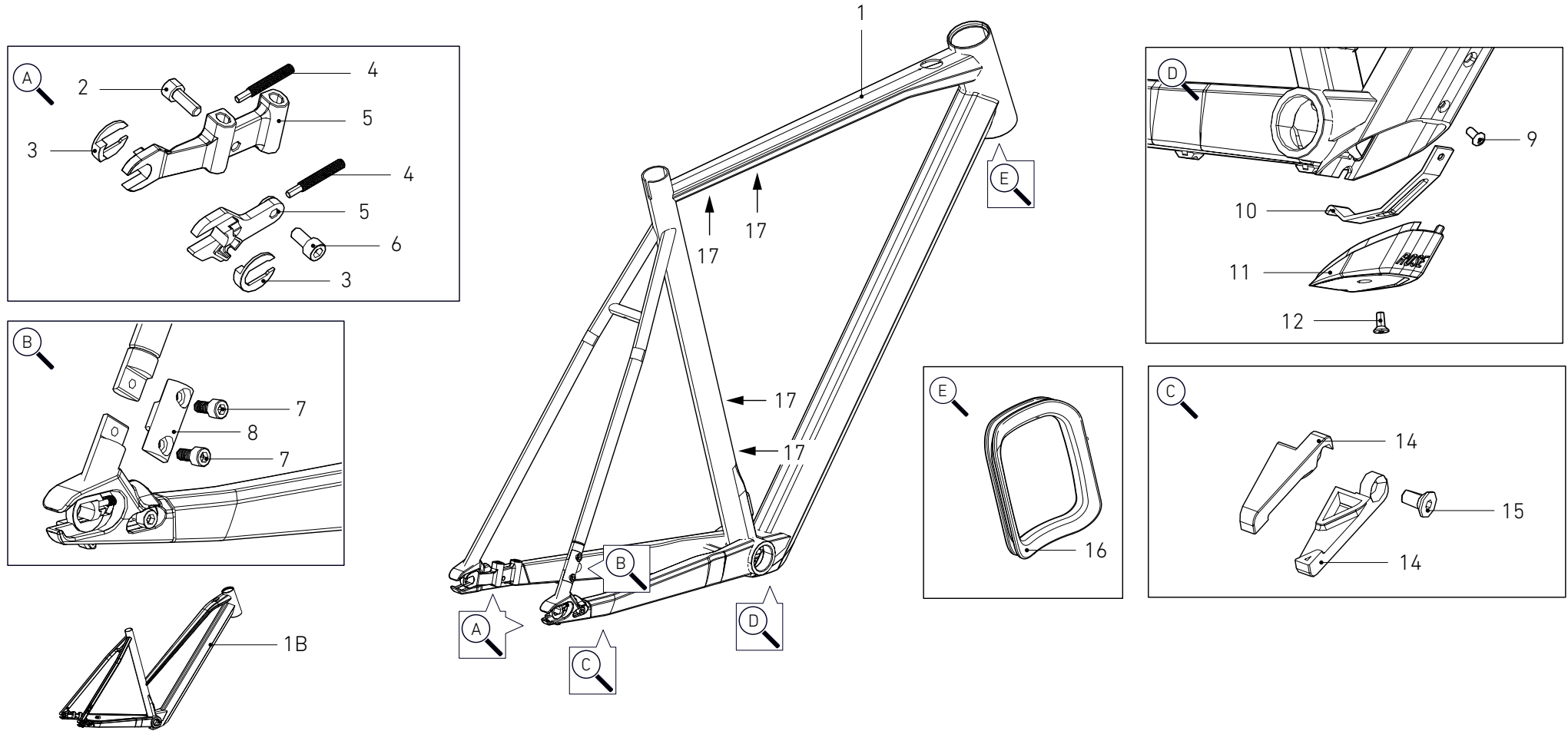
[rosebikes.de/support](https://rosebikes.de/support)

ROSE Bikes GmbH  
Schersweide 4  
46395 Bocholt, Germany

**S N E A K** PLUS

**FRAME DETAILS**

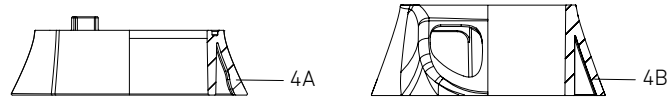
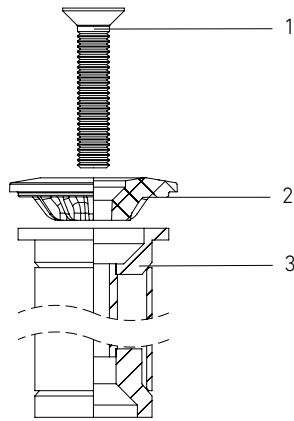
# S N E A K PLUS FRAME DETAILS



POS.	DESCRIPTION	SPECIFICATIONS	ART. NR.
1	frame	black	2305913
		white	2305914
1B	frame mid step	black	2324421
		white	2324422
2	dropout fixing screw nds	M6x15mm	232899501
3	axle guide plate	2 pcs.	232899901
4	horizontal setting screw	2 pcs.	232899701
5	dropouts	set drive side + non drive side	232895901
6	dropout fixing screw ds	M6x12mm	232899201
7	splitter bolt	M5x12mm, 2 pcs.	232894701
8	splitter		232894401

POS.	DESCRIPTION	SPECIFICATIONS	ART. NR.
9	bracket fixing screw	M5x10mm	232900901
10	bracket		232900701
11	cover		232901201
12	cover fixing screw	M5x10mm	232901401
14	cable support		232900301
15	cable support fixing screw	M4x10mm	232900501
16	H/T rubber cable routing		232863501
17	gear bolt	4 pcs.	232901801
	rack adapter	2 pcs.	232895001
	rack adapter fixing screw	M5x10mm, 2 pcs.	232895501

**FRAME DETAILS**



**HEADSET DETAILS**

**HEADSET ART. NR. 2294845**

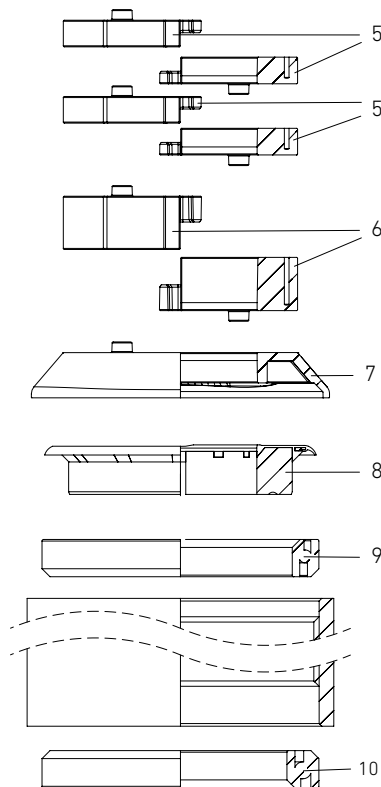
1	countersunk head screw	DIN7991, M6 X 30 mm
2	top cap	
3	compression expander	
4A	top cover	for external cable routing
5	spacer	different heights available*1
6	spacer	different heights available*1
7	headtube cover	8.5 mm
8	compression ring	Ø1 1/8"
9	upper bearing	42 x 52 x 7 mm
10	lower bearing	40 x 52 x 7 mm, R1

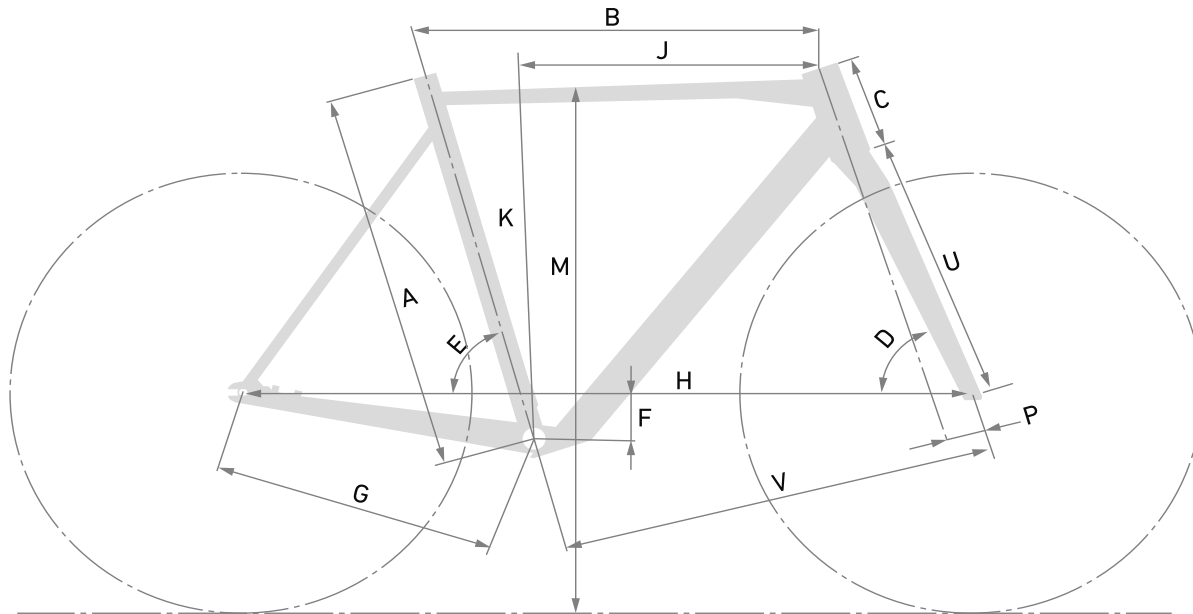
\*1 choose art. nr. 2299264

**HEADSET ART. NR. 2303006**

1	countersunk head screw	DIN7991, M6 X 30 mm
2	top cap	
3	compression expander	
4B	top cover	for internal cable routing
5	spacer	different heights available*2
6	spacer	different heights available*2
7	headtube cover	8.5 mm
8	compression ring	Ø1 1/8"
9	upper bearing	42 x 52 x 7 mm
10	lower bearing	40 x 52 x 7 mm, R1

\*2 choose art. nr. 2303210



**FRAME DETAILS**

**FRAME GEOMETRY**

		S	M	L	MID STEP S	MID STEP M
SEATTUBE LENGTH [MM]	A	520	570	620	430	470
TOPTUBE LENGTH HORIZONTAL [MM]	B	566	585	610	540	566
HEAD TUBE LENGTH [MM]	C	130	155	180	110	130
HEAD TUBE ANGLE	D	71°	71°	71°	69°	71°
SEAT TUBE ANGLE	E	74°	74°	74°	74°	74°
BB DROP [MM]	F	72	72	72	72	72
REAR CENTER [MM] (CHAINSTAY LENGTH)	G	435,4	435,4	435,4	435,4	435,4
WHEELBASE [MM]	H	1052,6	1072,9	1099,3	1043,9	1052,6
REACH [MM]	J	405,5	417,7	435,9	386,5	405,5
STACK [MM]	K	559,7	583,4	607	535,4	559,7
STACK TO REACH RATIO	O	1,38	1,39	1,39	1,38	1,38
FORK LENGTH [MM]	U	404,2	404,2	404,2	404,2	404,2
FORK OFFSET [MM]	P	47	47	47	47	47

**FRAME INTERFACES**

REAR WHEEL AXLE	-
REAR BRAKE MOUNT	Flatmount 160 mm
MAX Ø DISC	160 mm only!
Ø SEATPOST	30.9 mm
MAX. TIRE SIZE	700Cx47, with mud guards 700Cx42
MAX. CHAINRING SIZE	1x 46T
FRONT DERAILLEUR MOUNT	no
BOTTLE CAGE	yes, 2x
REAR RACK MOUNT	no

**FORK INTERFACES**

FRONT WHEEL AXLE	12 x 100 mm: ROSE Art. Nr.: 227585701
FRONT BRAKE MOUNT	Flatmount 160 mm - 180 mm
MAX Ø DISC	180 mm
MAX. TIRE SIZE	700Cx47, with mud guards 700Cx42
LOWRIDER MOUNT	not compatible, please choose ROSE Gravel Cage, Art. Nr. 230033901
BOTTLE CAGE	yes, 2x

MAX SYSTEM WEIGHT (RIDER + BICYCLE + CLOTHING + GEAR + LUGGAGE): 120 KG  
 INTENDED USE: DIN 17406 CATEGORY 2