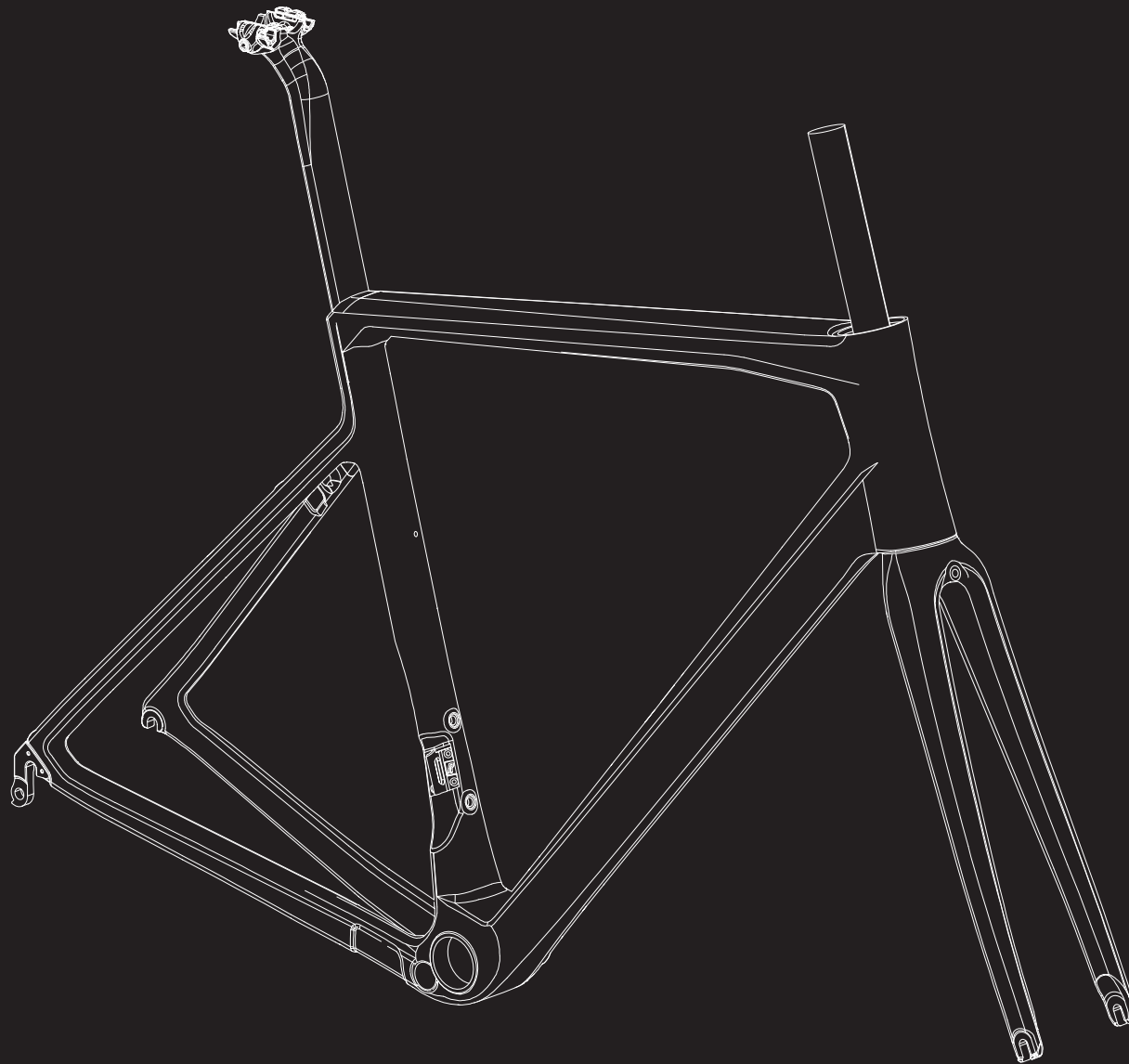


# *ROSE*



**ANY QUESTIONS?**

[rosebikes.de/support](https://rosebikes.de/support)

ROSE Bikes GmbH  
Schersweide 4  
46395 Bocholt, Germany

# *REVEAL*

FOUR RIM BRAKE  
**FRAME** DETAILS

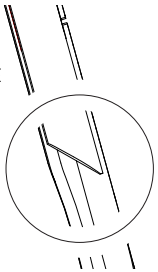
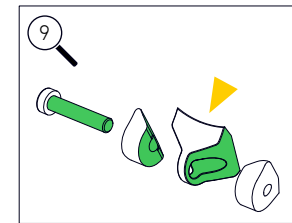
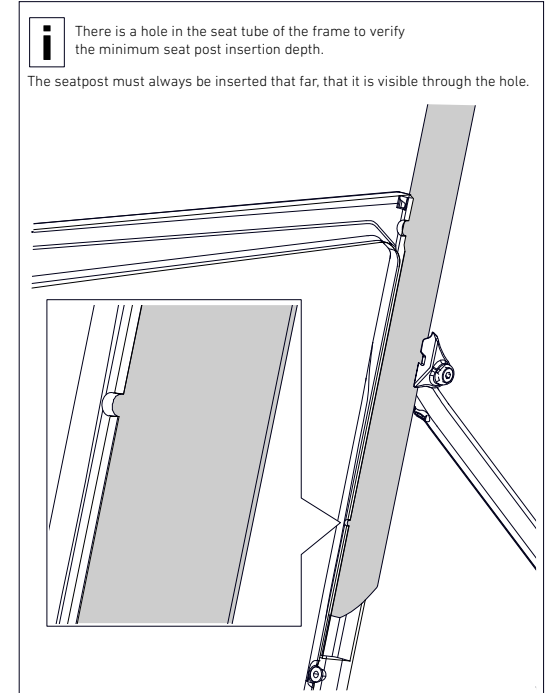
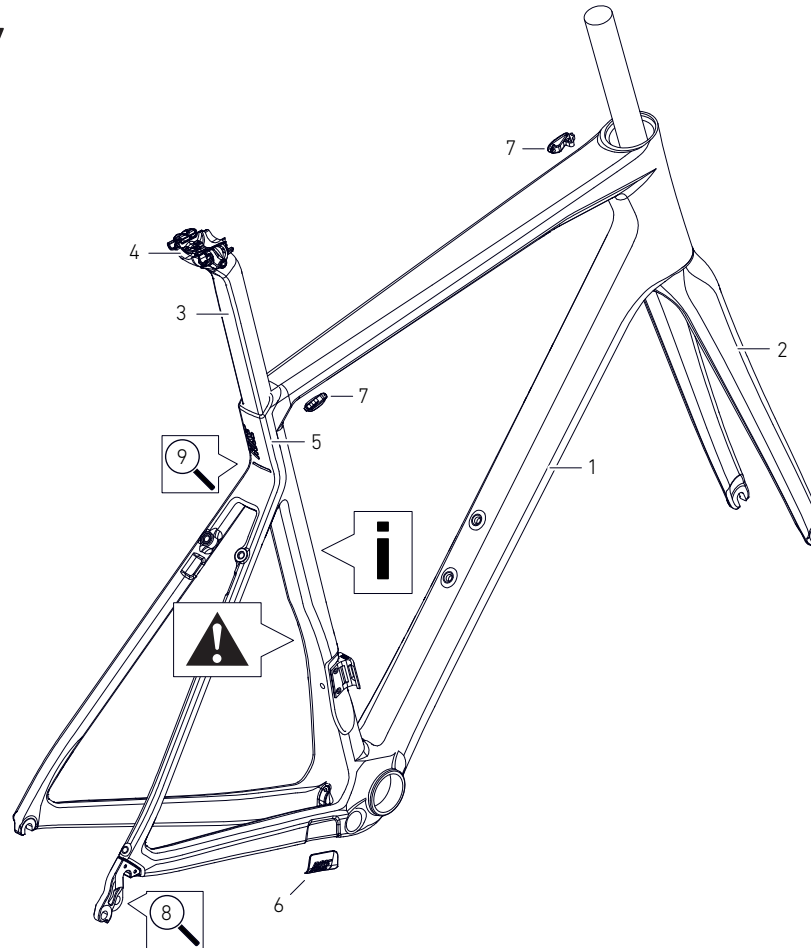
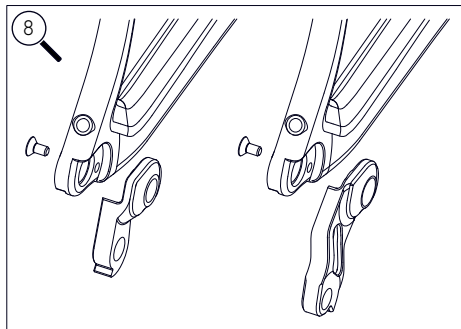
# REVEAL

## FOUR RIM FRAME DETAILS

**CAUTION**



RISK OF DAMAGE TO THE FRAME BY EXCEEDING THE MAXIMUM INSERTION DEPTH OF THE SEAT POST!

The frame's seat tube tapers at the bottom. The seat post must not touch this taper during operation.

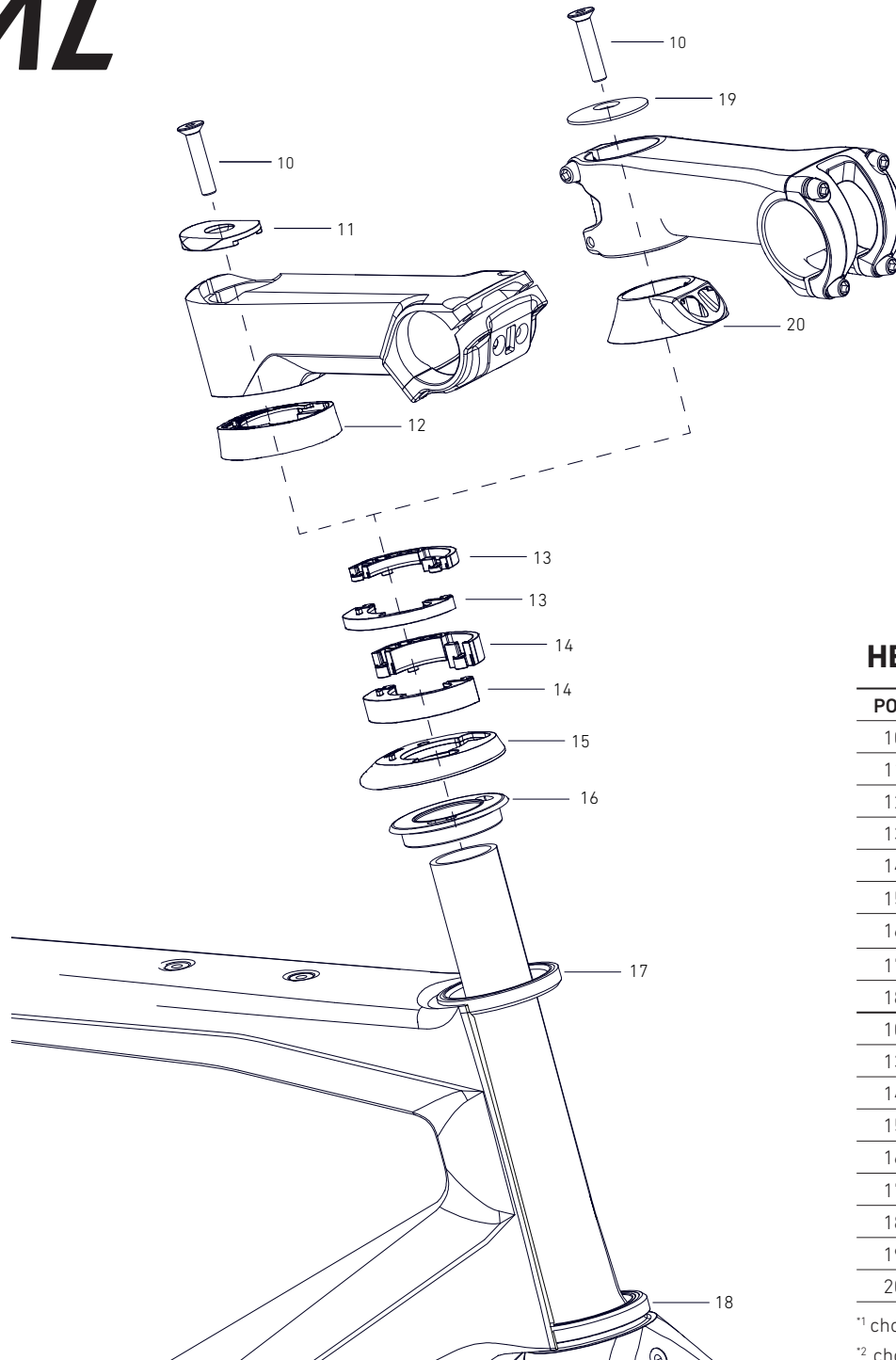
POS.	DESCRIPTION	SPECIFICATIONS	ART. NR.
1	frame	color: black / red	2289304
2	fork	color: black / red	2289413
3	seatpost	25 mm setback	2297790
		8 mm setback	2299453
4	saddle clamp	Ø 7 mm rail	2284193
5	seatpost clamp cover		2289340
6	chain suck plate		2289351
7	cable stopper		2055013
8	SRAM rim hanger	incl. fixing screw	2289327
	Shimano rim hanger	incl. fixing screw	2289326

POS.	DESCRIPTION	SPECIFICATIONS	ART. NR.
9	seatpost clamp	torque: max. 5 Nm	2289345
	PU foam down tube cable routing		2289350
	Di2 front derailleur hole plug		2198822
	Di2 rear derailleur hole plug		2289347
	end cap	Jagwire 4.2 mm, black, alloy	1974766
	plug seatpost clamp screw		2178624

	GREASE	Motorex Bike Grease 2000 100 g	49208600
	CARBON ASSEMBLY PASTE	for example DYNAMIC, Art. Nr. 25377201	

# REVEAL

## FOUR RIM FRAME DETAILS



## HEADSET DETAILS

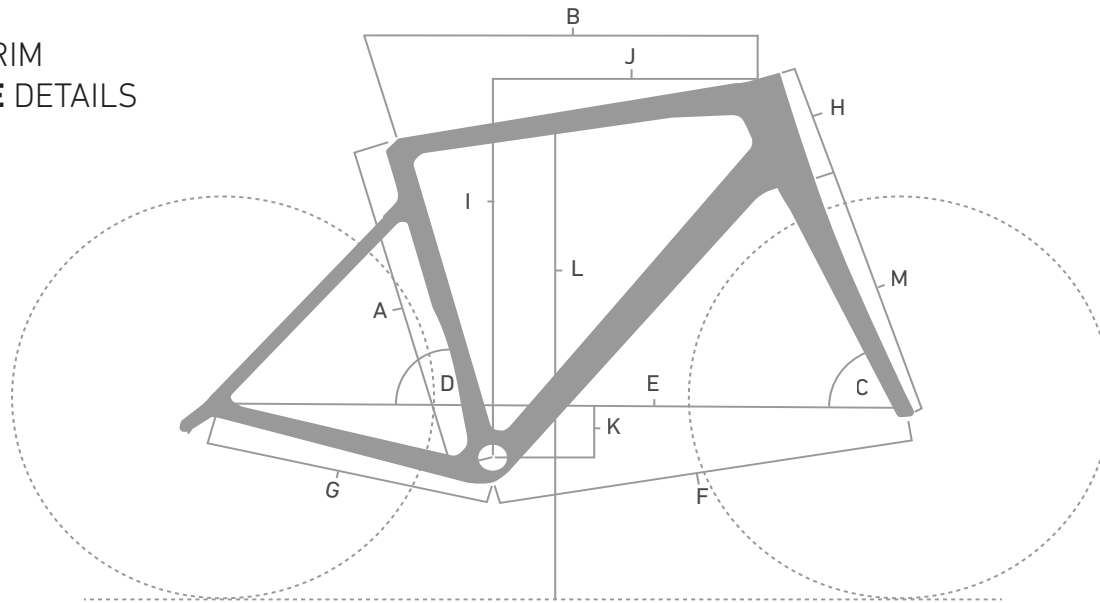
POS.	DESCRIPTION	SPECIFICATIONS	ART. NR.
10	countersunk head screw	DIN7991, M6 X 30 mm	2292459
11	top cap		
12	top cover	for fully integrated cable routing	
13	spacer	different heights available <sup>1</sup>	
14	spacer	different heights available <sup>1</sup>	
15	headtube cover		
16	compression ring	Ø1 1/8"	
17	upper bearing	42 x 52 x 7 mm	230922801
18	lower bearing	40 x 52 x 7 mm, R1	
10	countersunk head screw	DIN7991, M6 X 30 mm	
13	spacer	different heights available <sup>2</sup>	
14	spacer	different heights available <sup>2</sup>	
15	headtube cover		
16	compression ring	Ø1 1/8"	
17	upper bearing	42 x 52 x 7 mm	
18	lower bearing	40 x 52 x 7 mm, R1	
19	top cap		
20	top cover	for semi integrated cable routing	

<sup>1</sup> choose art. nr. 2292460

<sup>2</sup> choose art. nr. 2299271

# REVEAL

## FOUR RIM FRAME DETAILS



## FRAME GEOMETRY

SIZE		50	53	55	57	59	61	64
SEATTUBE LENGTH [MM]	A	450	475	495	515	537	562	600
TOPTUBE LENGTH HORIZONTAL [MM]	B	512	530	542	554	568	585	610
HEAD TUBE ANGLE	C	71,5°	72°	72,5°	73°			
SEAT TUBE ANGLE	D	75°	74,5°	74,25°	74°	73,5°	73°	72,5°
WHEELBASE [MM]	E	973	982	987	991	1004	1018	1040
FRONT CENTER [MM]	F	576	585	590	595	604	615	634
REAR CENTER [MM] (CHAINSTAY LENGTH)	G	407				410	412	415
HEADTUBE LENGTH [MM]	H	125	142	154	170	190	208	230
STACK [MM]	I	540	558	572	589	605	622	643
REACH [MM]	J	367	375	381	385	389	396	407
STACK TO REACH RATIO		1,47	1,49	1,50	1,53	1,56	1,57	1,58
BB DROP [MM]	K	73				70		
STAND-OVER HEIGHT (100MM BEFORE BB)	L	750	773	790	808	830	852	879
FORK LENGTH [MM]	M					384		
FORK OFFSET [MM]						46		

## FRAME INTERFACES

BOTTOM BRACKET	Shimano: SM-BB72-41B Pressfit Sram: DUB PF Road 86,5
FRONT WHEEL AXLE	QR
REAR WHEEL AXLE	QR
FRONT BRAKE MOUNT	standard mount
REAR BRAKE MOUNT	direct mount
Ø SEATPOST	D-shape
MAX. TIRE SIZE	700x28c
MAX. CHAINRING SIZE	53/39
BOTTLE CAGE	yes, 2x

MAX SYSTEM WEIGHT (RIDER + BICYCLE + CLOTHING + GEAR + LUGGAGE): 110 KG