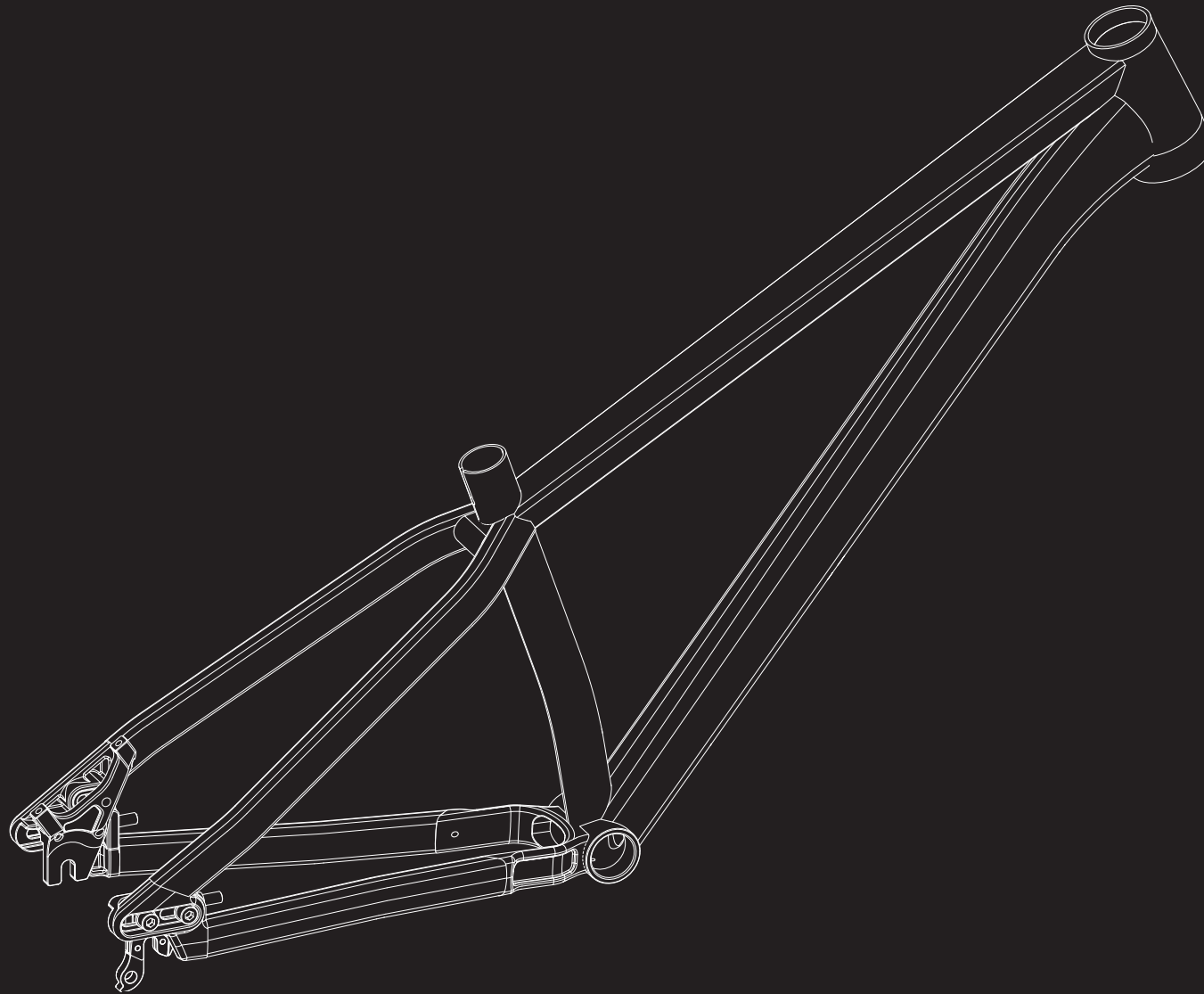


ROSE



ANY QUESTIONS?

rosebikes.de/support

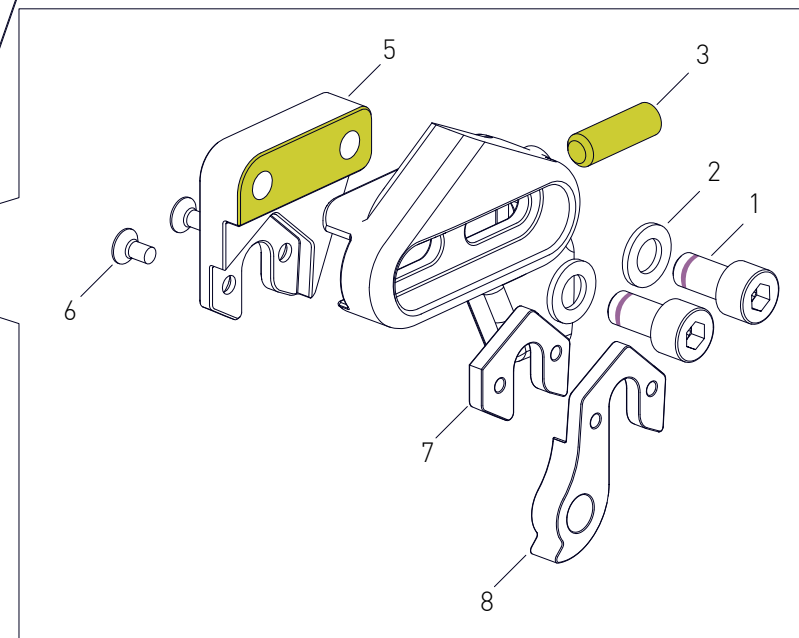
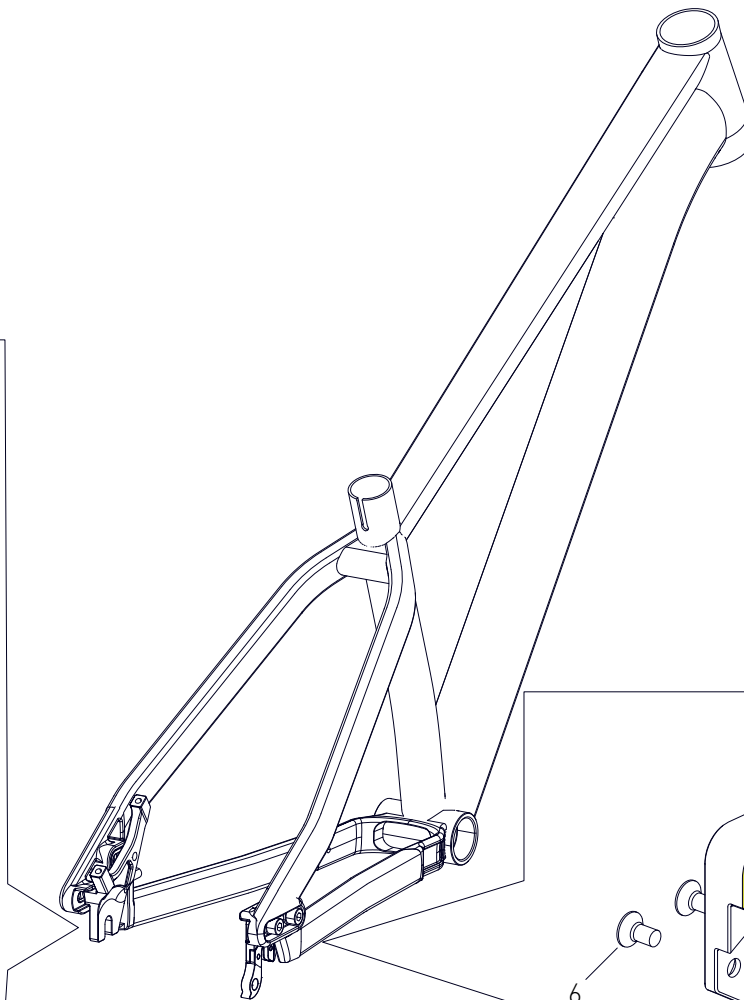
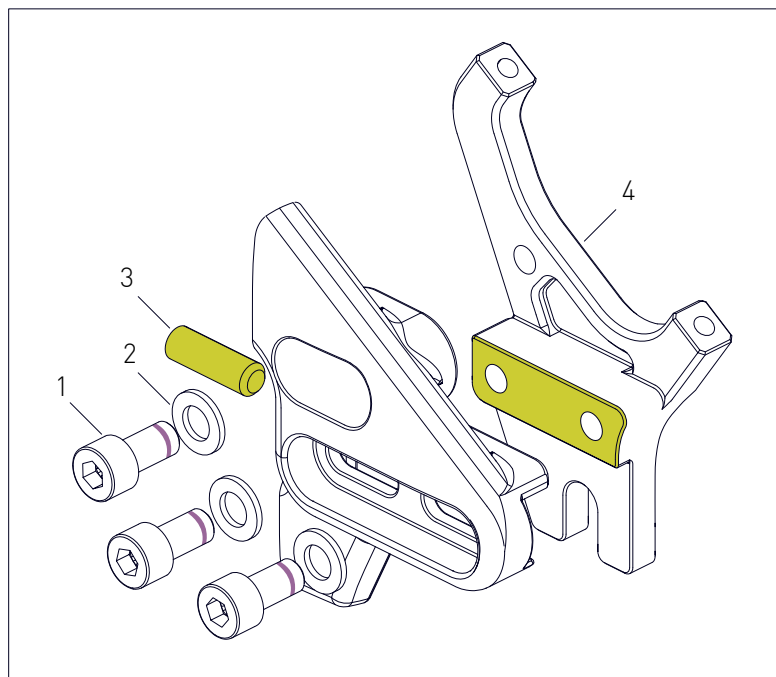
ROSE Bikes GmbH
Schersweide 4
46395 Bocholt, Germany

THE BRUCE

FRAME DETAILS

THE BRUCE

FRAME DETAILS



POS.	DESCRIPTION	SPECIFICATIONS	ART. NR.
1	cylinder head screw	ISO 4762 M8 x 16, 1 piece	228421301
2	washer	1 piece	
3	headless pin	ISO 4026 M8 x 25, 1 piece	229761101
4	dropout slider left, PM	incl. screws and washers (pos. 1 and 2)	228420901
5	dropout slider right	incl. screws and washers (pos. 1 and 2)	228421001
6	screw derailleur hanger		
7	derailleur hanger dummy	incl screws (pos. 6)	228421201
8	derailleur hanger	ROSE Nr. 57, incl. screws (pos. 6)	226447901

 GREASE

DYNAMIC GALLI BEARING 100 g

49217800

DYNAMIC GALLI BEARING 400 g

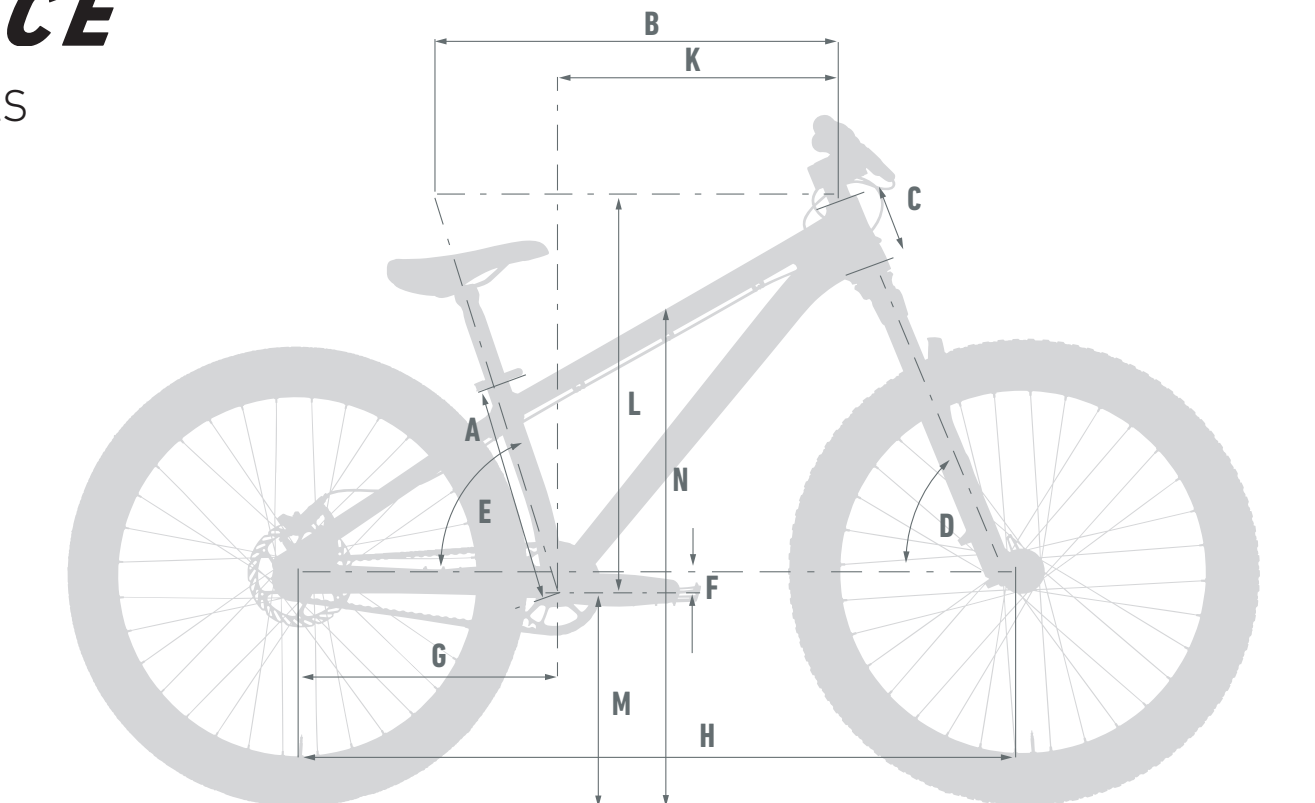
49217900

 THREADLOCKER

mid strength, for example Art. Nr. 1322431

THE BRUCE

FRAME DETAILS



FRAME GEOMETRY

		SIZE M	SIZE L
SEAT TUBE LENGTH	A	320 mm	
TOP TUBE LENGTH	B	575 mm	598 mm
HEAD TUBE LENGTH	C	115 mm	
HEAD TUBE ANGLE	D	69°	
SEAT TUBE ANGLE	E	73°	
BB DROP	F	-18 mm	
CHAIN STAY LENGTH	G	375 - 389 mm	
WHEEL BASE	H	1045 - 1059 mm	1068 - 1082 mm
REACH	K	406 mm	429 mm
STACK	L	552 mm	
BB HEIGHT	M	321 mm	
STANDOVER HEIGHT	N	692.5 mm	688 mm
TRAVEL FRONT		100 mm	

FRAME INTERFACES

BOTTOM BRACKET	BSA 73 mm
HEADSET	IS44 / 56, for example Art. Nr. 225871601
REAR BRAKE MOUNT	PM 160
MAX. Ø REAR BRAKE DISC	180 mm
Ø SEAT TUBE	30.9 mm
Ø SEAT POST CLAMP	34.9 mm, for example Art. Nr. 199994100
MAX. TIRE WIDTH	2.35"
WHEEL SIZE	26"
MAX. CHAINRING SIZE	36 T
REAR HUB SPACING	10 x 135 mm

MAX SYSTEM WEIGHT (RIDER + BICYCLE + CLOTHING + GEAR + LUGGAGE): 120 KG