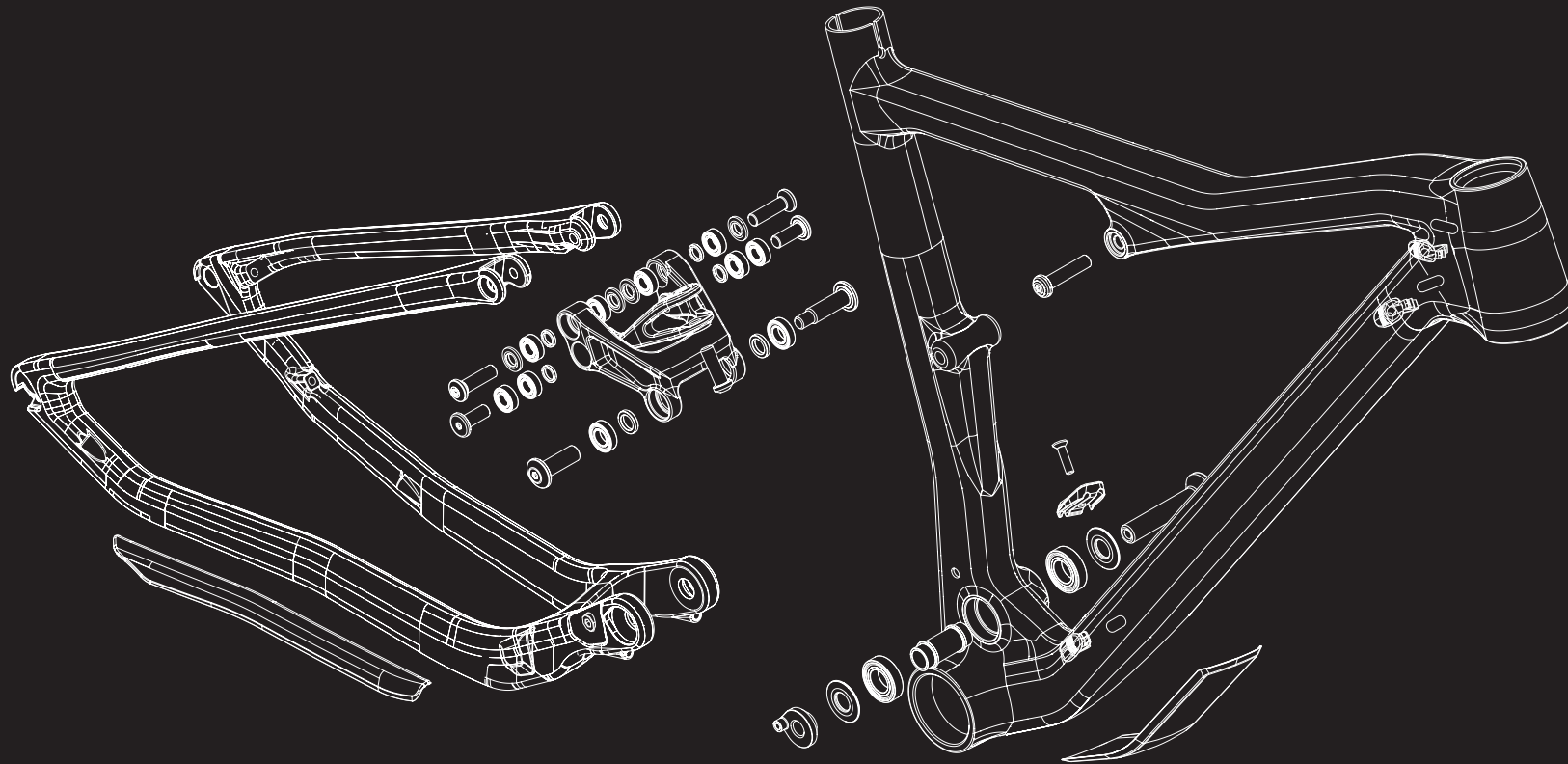


# ROSE



**ANY QUESTIONS?**  
[rosebikes.de/support](http://rosebikes.de/support)

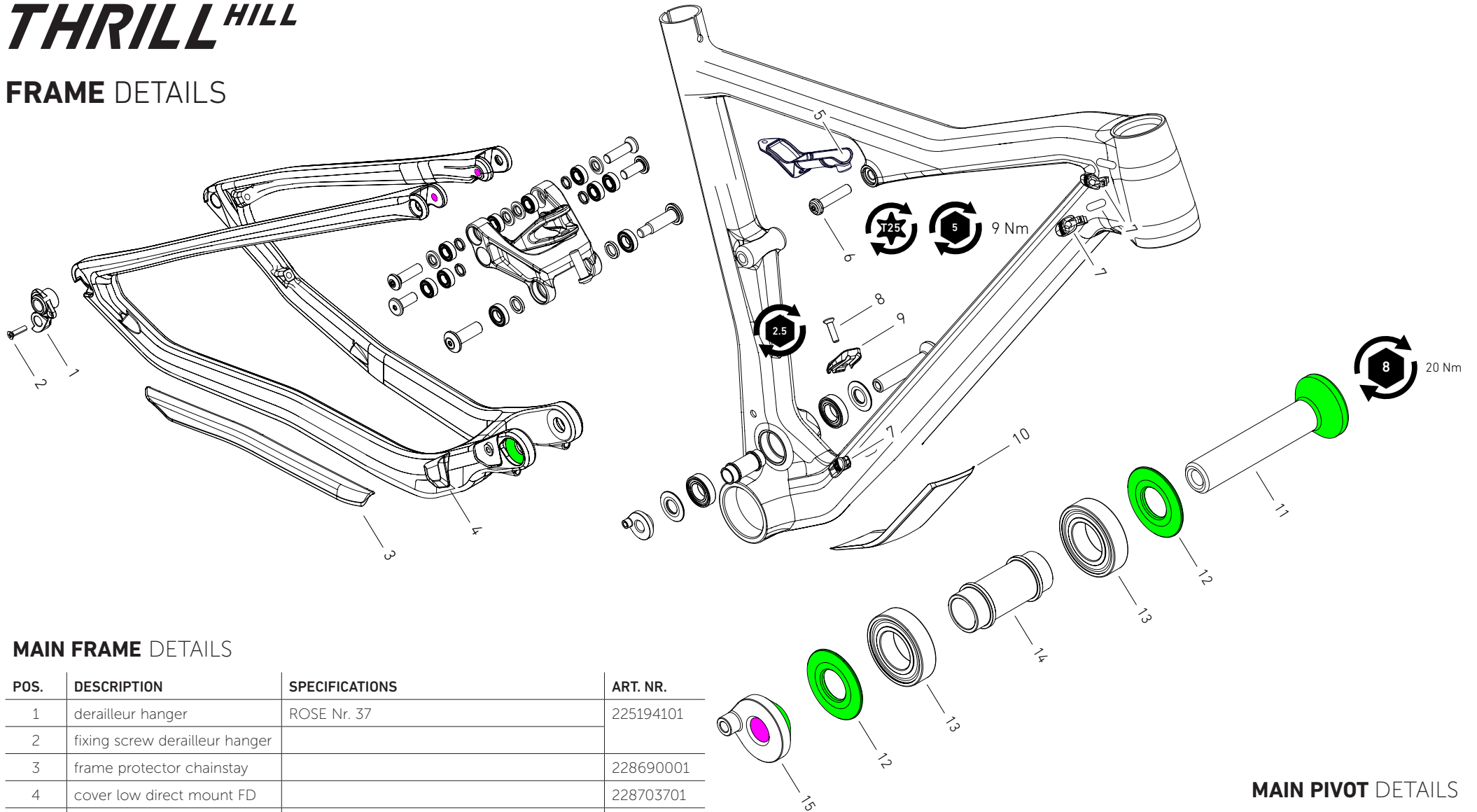
ROSE Bikes GmbH  
Schersweide 4  
46395 Bocholt, Germany

## THRILL<sup>HILL</sup>

**FRAME DETAILS**  
MODELYEAR 2019

# THRILL<sup>HILL</sup>

## FRAME DETAILS



### MAIN FRAME DETAILS

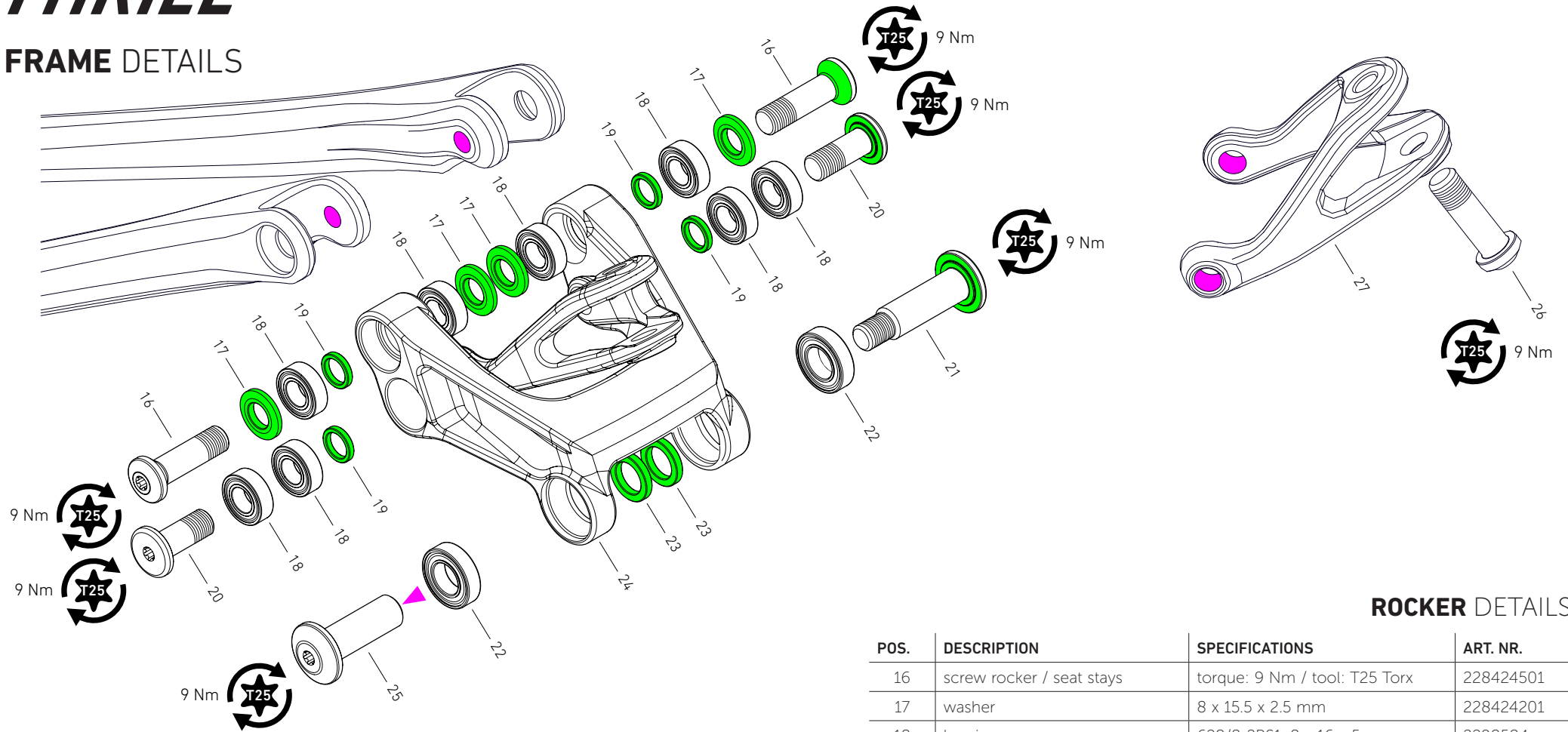
POS.	DESCRIPTION	SPECIFICATIONS	ART. NR.
1	derailleur hanger	ROSE Nr. 37	225194101
2	fixing screw derailleur hanger		
3	frame protector chainstay		228690001
4	cover low direct mount FD		228703701
5	cover TT		227047301
6	screw frame / shock	M8 x 35 mm, torque: 9 Nm tool: original screw T25/ replacement screw 5 mm hex	229968201
7	cable guide	open	2170039
		closed	2054944
8	fixing screw cable guide	tool: 2.5 mm hex	227047601
9	cable guide down tube		
10	frame protector down tube		228694701

### MAIN PIVOT DETAILS

POS.	DESCRIPTION	SPECIFICATIONS	ART. NR.
11	screw main pivot	torque: 20 Nm / tool: 8 mm hex	228423401
12	washer	12 x 27.5 x 2 mm	228423501
13	bearing (main pivot)	61902-2RS1, 15 x 28 x 7 mm	2298580
14	sleeve main pivot		228423601
15	conical nut		228423301
	GREASE	Motorex Bike Grease 2000 100 g	49208600
	THREADLOCKER	mid strength, for example Art. Nr. 1322431	

# THRILL<sup>HILL</sup>

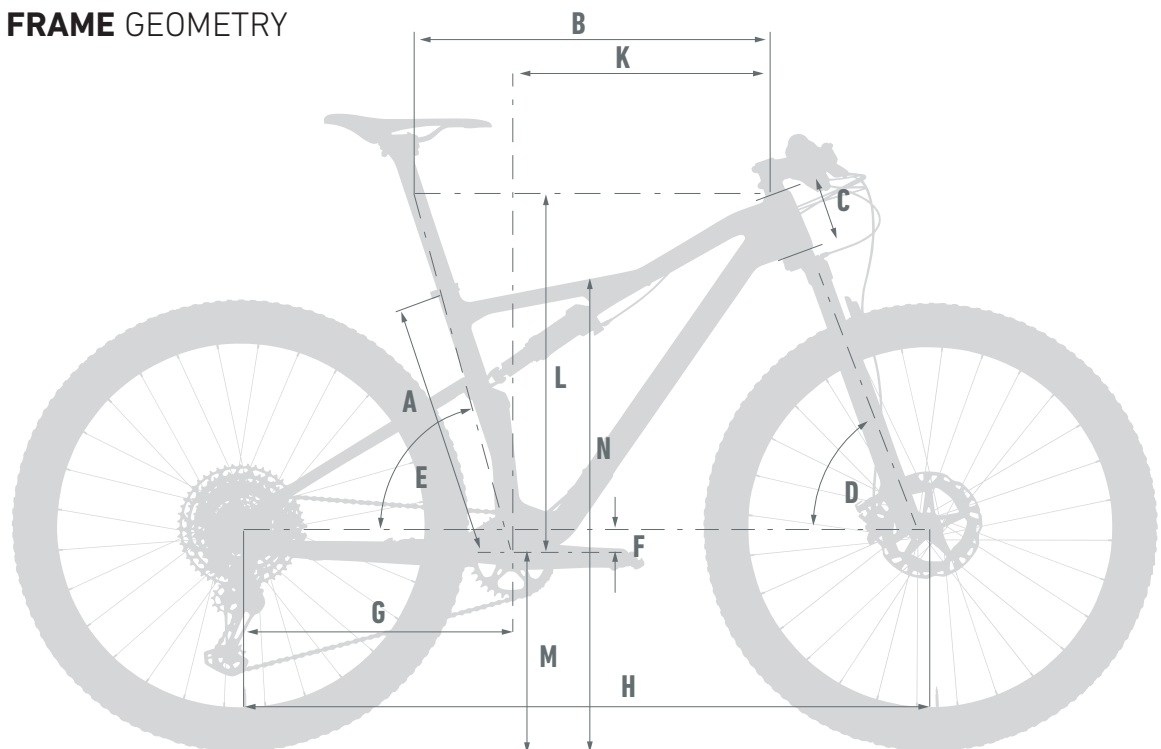
## FRAME DETAILS



## ROCKER DETAILS

POS.	DESCRIPTION	SPECIFICATIONS	ART. NR.
16	screw rocker / seat stays	torque: 9 Nm / tool: T25 Torx	228424501
17	washer	8 x 15.5 x 2.5 mm	228424201
18	bearing	628/8-2RS1, 8 x 16 x 5 mm	2298584
19	washer	8 x 11 x 2 mm	228424401
20	screw rocker / shock extension	torque: 9 Nm / tool: T25 Torx	228424101
21	screw rocker / frame	torque: 9 Nm / tool: T25 Torx	228424001
22	bearing rocker / frame	61800-2RS1, 10 x 19 x 5 mm	2298583
23	washer	10 x 15 x 2.5 mm	228423201
24	rocker		228424301
25	threaded sleeve rocker / frame	torque: 9 Nm / tool: T25 Torx	228423901
26	screw shock extension / shock	torque: 9 Nm / tool: T25 Torx	228423801
27	shock extension		228423701
	GREASE	Motorex Bike Grease 2000 100 g	49208600
	THREADLOCKER	mid strength, for example Art. Nr. 1322431	

## FRAME GEOMETRY



## FRAME INTERFACES

<b>BOTTOM BRACKET</b>	PressFit30
<b>HEADSET</b>	IS42 / 48 Acros AiX-333 headset, Art. Nr. 226072701
<b>REAR WHEEL AXLE</b>	length: 180 mm, M12 x 1.75, thread length: 20 mm e.g. DT Swiss RWS Boost Plug In axle, Art. Nr. 2269801
<b>SHOCK LENGTH X STROKE</b>	190 x 40 mm
<b>SHOCK HARDWARE</b>	Ø8 x 25 mm / Ø8 x 15 mm
<b>REAR BRAKE MOUNT</b>	PM 160
<b>MAX. Ø REAR BRAKE DISC</b>	180 mm
<b>Ø SEAT TUBE</b>	31.6 mm
<b>Ø SEAT POST CLAMP</b>	36 mm e.g. ROSE seat post clamp, Art. Nr. 226113801
<b>MAX. TIRE WIDTH</b>	2.3"
<b>WHEEL SIZE</b>	29"
<b>MAX. CHAINRING SIZE</b>	36 T
<b>FD MOUNT</b>	low direct mount
<b>REAR HUB SPACING</b>	Boost 12 x 148 mm

**MAX SYSTEM WEIGHT (RIDER + BICYCLE + CLOTHING + GEAR + LUGGAGE): 110 KG**  
**INTENDED USE (DIN 17406): CATEGORY 3**

		fork length 506 mm / fork travel 100 mm				fork length 521 mm / fork travel 120 mm			
		SIZE S	SIZE M	SIZE L	SIZE XL	SIZE S	SIZE M	SIZE L	SIZE XL
<b>SEAT TUBE LENGTH</b>	<b>A</b>	422 mm	450 mm	480 mm	510 mm	422 mm	450 mm	480 mm	510 mm
<b>TOP TUBE LENGTH</b>	<b>B</b>	574 mm	594 mm	625 mm	650 mm	577 mm	597 mm	628 mm	653 mm
<b>HEAD TUBE LENGTH</b>	<b>C</b>	100 mm		110 mm	120 mm	100 mm		110 mm	120 mm
<b>HEAD ANGLE</b>	<b>D</b>	69.5°				68.6°			
<b>SEAT ANGLE</b>	<b>E</b>	74.5°				73.6°			
<b>BB DROP</b>	<b>F</b>	-42 mm				-35 mm			
<b>CHAIN STAY LENGTH</b>	<b>G</b>	439 mm				440 mm			
<b>WHEEL BASE</b>	<b>H</b>	1109 mm	1129 mm	1161 mm	1187 mm	1106 mm	1126 mm	1158 mm	1184 mm
<b>REACH</b>	<b>K</b>	410 mm	430 mm	458 mm	480 mm	400 mm	421 mm	449 mm	472 mm
<b>STACK</b>	<b>L</b>	593 mm		602 mm	611 mm	599 mm		608 mm	618 mm
<b>BB HEIGHT</b>	<b>M</b>	330.5 mm				337 mm			
<b>STANDOVER HEIGHT</b>	<b>N</b>	778 mm		781 mm	782 mm	788 mm		790 mm	800 mm
<b>TRAVEL REAR</b>		100 mm				100 mm			